

1  
RoHS Compliance

2

3

4

5

6

7

8

A

A

B

B

C

C

D

D

E

E

F

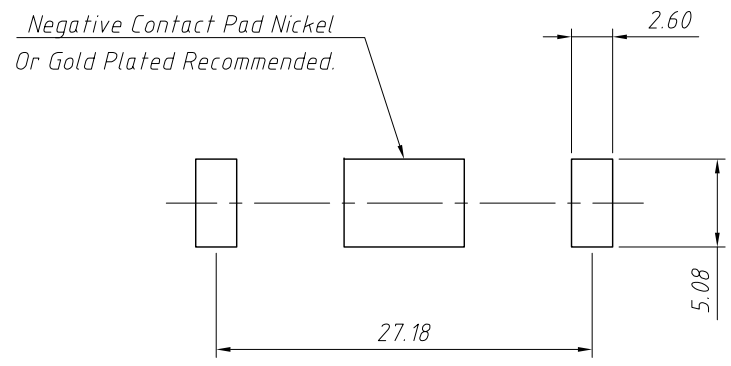
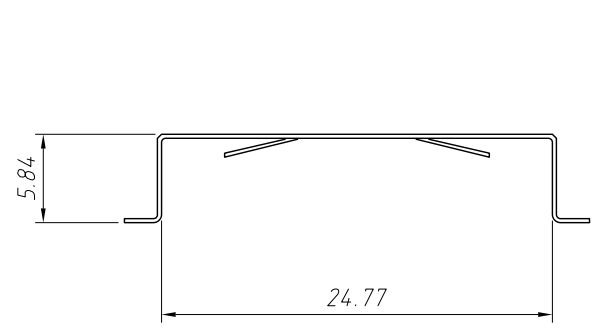
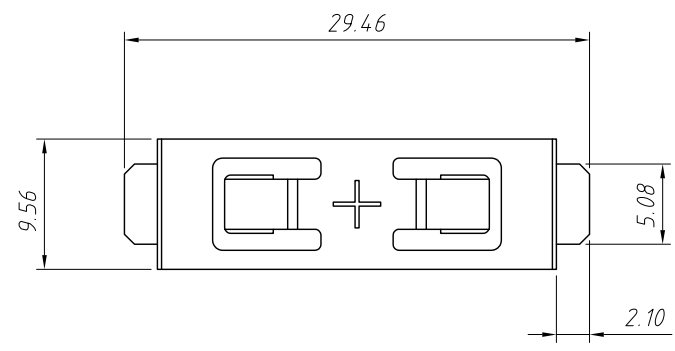
F

G

G

H

H



Negative Contact Pad Nickel  
Or Gold Plated Recommended.

Recommended PCB Layout  
Tolerance: ±0.05mm

Description:

Material: 0.25mm Phosphor Bronze,  
Nickel Plated.

Vibration Test: 10-50-10 HZ Swept In 60 Seconds  
X,Y,Z. Direction: 1 Hour Each Direction.

Result: No Dislodgement Of The Cell Or Damage  
No Discontinuity Over 10 Micro-Seconds.

Shock Test: Half Sine Wave Acceleration 150g.  
6 Ms 1 Shock Pulses Each Direction  
Per Axis.

Result: No Evidence Of Physical Damage.

Drop Test: Mounted On Board And Dropped 1 Time  
Per Direction From 1m High To Wooden  
Floor.

Result: No Dislodgement Of The Cell, No Damage To  
The Holders

|                   |            |              |                                 |                  |
|-------------------|------------|--------------|---------------------------------|------------------|
| ANGLE TOLERANCE   | PROJECTION | Description: | CR2450 Coin Cell Retainers      |                  |
| ±3°               |            |              |                                 |                  |
| GENERAL TOLERANCE | UNITS      | mm           | KLS P/N:                        | L-KLS5-CR2450-08 |
| x.x ±0.30         | SHEET SIZE | A4           |                                 |                  |
| x.xx ±0.20        | Draw:      | Daniel       | 2023-02-24                      |                  |
| x.xxx ±0.10       | Check:     | Daniel       | 2023-02-24                      |                  |
|                   |            |              | NingBo KLS ELECTRONIC CO.,L TD. |                  |

5

6

7

8