

Plastic square shape photoelectric sensors **PTE** series


Features

- ◆ Through beam reflection working principle;
- ◆ Excellent anti-interference performance
- ◆ High detection accuracy

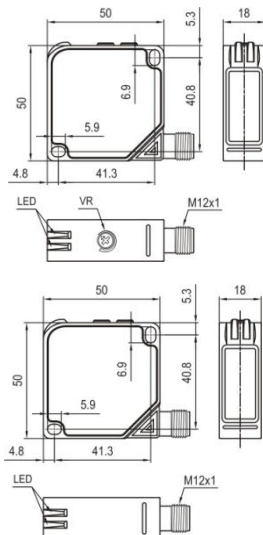
Part number

| | Emitter | Receiver |
|--------------|--------------|---------------|
| Relay output | PTE-TM60S-E2 | PTE-TM60SK-E5 |

Technical specifications

| | | | |
|-------------------------|--------------------------|-----------------------|---------------------------------------|
| Detection type | Through beam | Consumption current | ≤35mA |
| Rated distance [Sn] | 60m (Emitter adjustable) | Circuit protection | |
| Standard target | > φ15mm opaque object | Response time | < 10ms |
| Light source | Infrared LED (850nm) | Output indicator | Emitter:Green LED Receiver:Yellow LED |
| Dimensions | 50 mm *50 mm *18mm | Ambient temperature | -25°C...+55°C |
| Output | Relay output | Ambient humidity | 35-85%RH (non-condensing) |
| Supply voltage | 24...240 VAC/DC | Voltage withstand | 2000V/AC 50/60Hz 60s |
| Min target | | Insulation resistance | ≥50MΩ(500VDC) |
| Hysteresis range [%/Sr] | | Vibration resistance | 10...50Hz (0.5mm) |
| Repeat accuracy [R] | ≤5% | Degree of protection | IP67 |
| Load current | ≤3A (receiver) | Housing material | PC/ABS |
| Residual voltage | | Connection type | M12 connector |

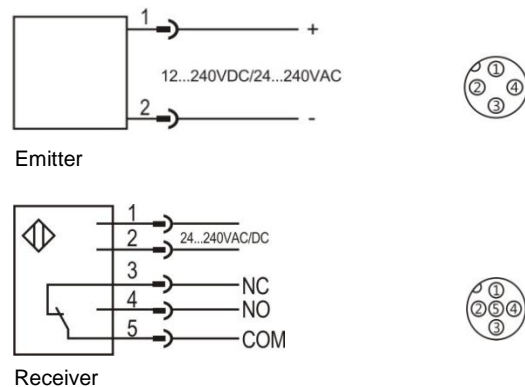
Dimensions



Emitter

Receiver

Wiring diagram



Plastic square shape photoelectric sensors PTE series



Features

- ◆ Through beam reflection working principle;
- ◆ Excellent anti-interference performance
- ◆ High detection accuracy

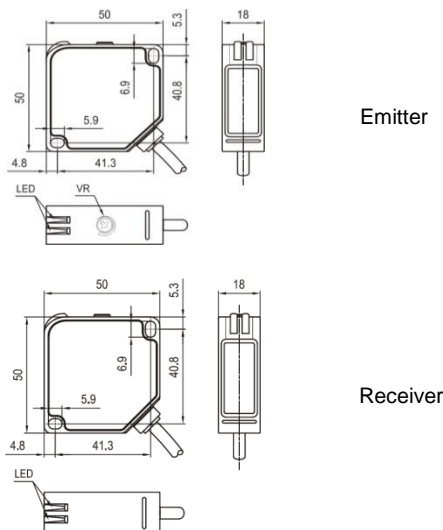
Part number

| | Emitter | Receiver |
|--------------|-----------|------------|
| Relay output | PTE-TM60S | PTE-TM60SK |

Technical specifications

| | | | |
|-------------------------|--------------------------|-----------------------|---------------------------------------|
| Detection type | Through beam | Consumption current | ≤35mA |
| Rated distance [Sn] | 60m (Emitter adjustable) | Circuit protection | |
| Standard target | >φ15mm opaque object | Response time | < 10ms |
| Light source | Infrared LED (850nm) | Output indicator | Emitter:Green LED Receiver:Yellow LED |
| Dimensions | 50 mm *50 mm *18mm | Ambient temperature | -25°C...+55°C |
| Output | Relay output | Ambient humidity | 35-85%RH (non-condensing) |
| Supply voltage | 24...240 VAC/DC | Voltage withstand | 2000V/AC 50/60Hz 60s |
| Min target | | Insulation resistance | ≥50MΩ(500VDC) |
| Hysteresis range [%/Sr] | | Vibration resistance | 10...50Hz (0.5mm) |
| Repeat accuracy [R] | ≤5% | Degree of protection | IP67 |
| Load current | ≤3A (receiver) | Housing material | PC/ABS |
| Residual voltage | | Connection type | 2m PVC cable |

Dimensions



Wiring diagram

