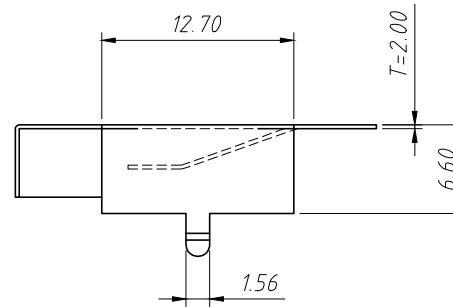
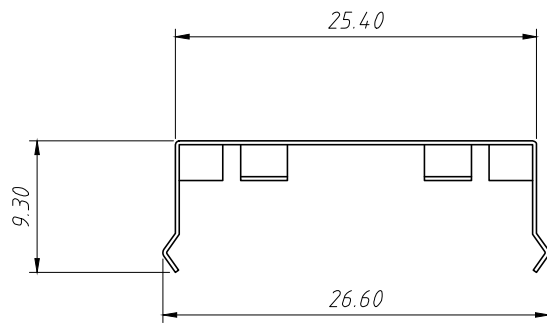
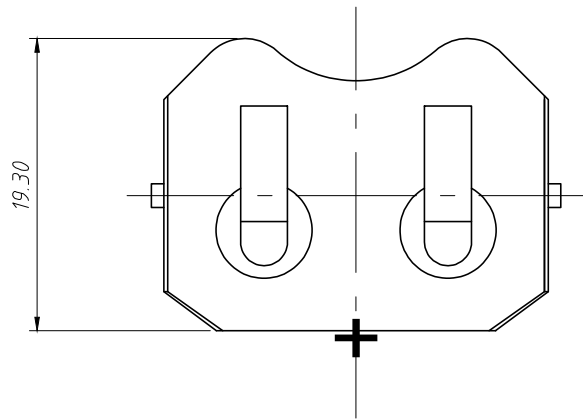
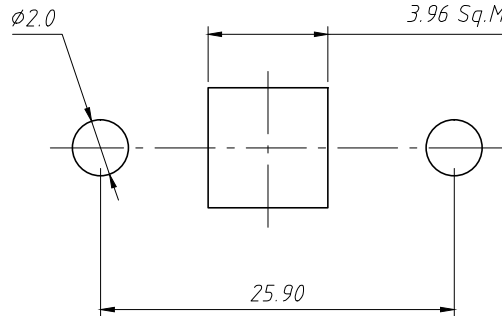


RoHS Compliance



Nickel Or Gold Plated
Neg. Contact PAD
3.96 Sq.Min



Recommended PCB Layout
Tolerance: ±0.05mm

Notes:

1:Material:

Phosphor Bronze T=0.20mm, Nickel Plated.

2:Electric:

Dielectric Voltage: 500V AC One Sec Level.

Contact Resistance: 30 mΩ Max.

Insulator Resistance: 100 MΩ Min.

Operating Temperature: -40°C ~ +85°C.

ANGLE TOLERANCE	PROJECTION	Description:
±3°		CR2450 Coin Cell Retainers
GENERAL TOLERANCE	UNITS	mm
x.x ±0.30	SHEET SIZE	A4
x.xx ±0.20	Draw:	Daniel 2023-02-24
x.xxx ±0.10	Check:	Daniel 2023-02-24

L-KLS5-CR2450-06



NingBo KLS ELECTRONIC CO.,LTD.