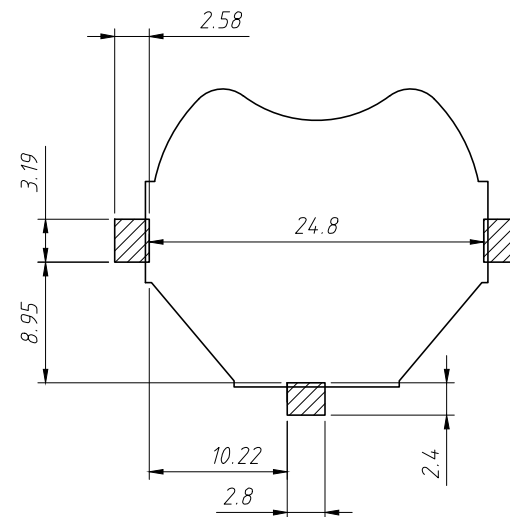
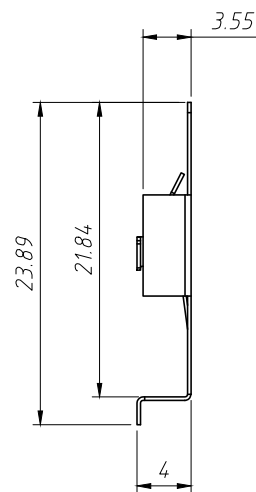
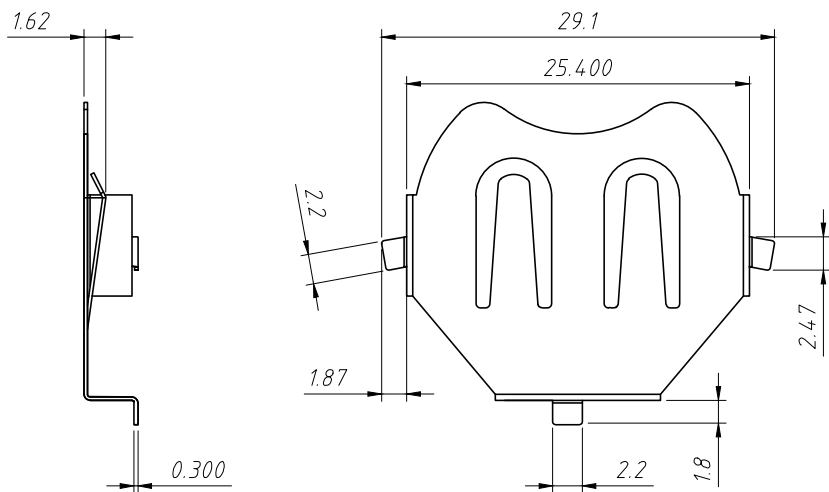
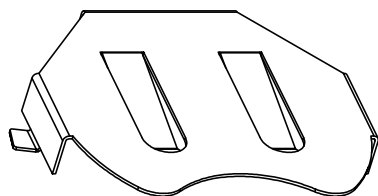


RoHS Compliance



PCB Layout Diagram
Top View

Material:
Phosphor Bronze T=0.3MM Ni-Plating



ANGLE TOLERANCE	PROJECTION		Description:	
±3°			CR2430 Coin Cell Retainers	
GENERAL TOLERANCE	UNITS	mm	KLS P/N:	L-KLS5-CR2430-05-R
x.x ±0.30	SHEET SIZE	A4	Draw:	Daniel 2023-02-24
x.xx ±0.20	Check:	Daniel 2023-02-24	NingBo KLS ELECTRONIC CO.,LTD.	
x.xxx ±0.10				

5

6

7

8