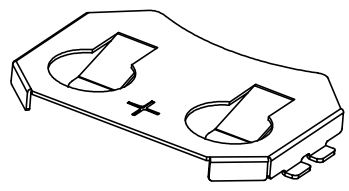
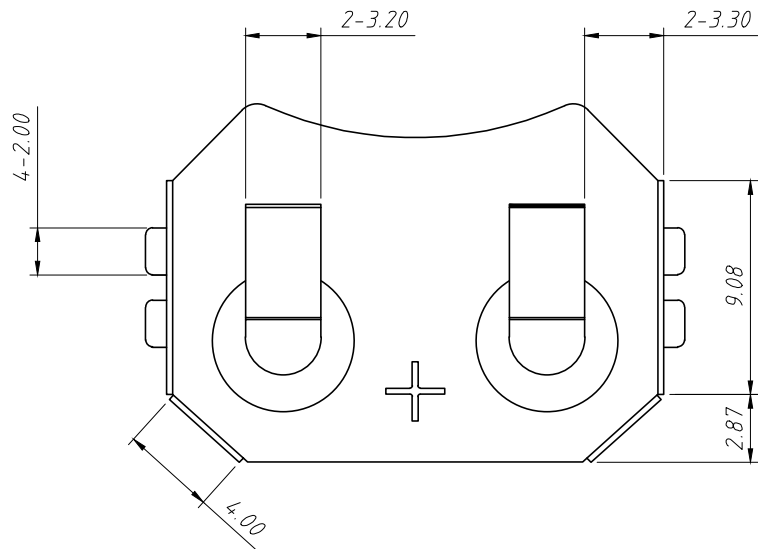
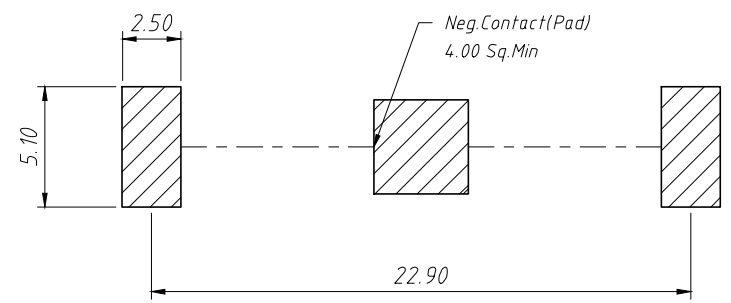
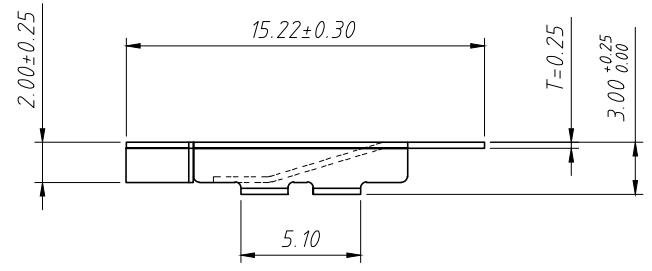
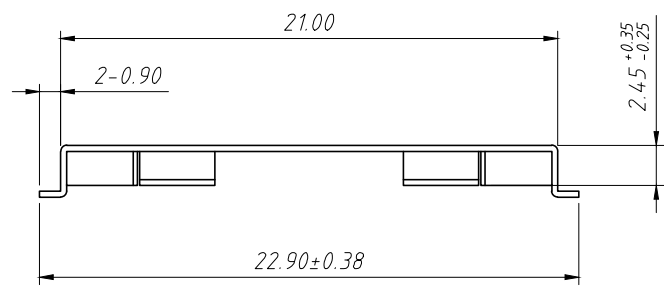


RoHS Compliance



Notes:
 1:Material:
 Phosphor Bronze T=0.25mm, Nickel Plated.
 2:Electric:
 Dielectric Voltage:500V AC One Sec Level.
 Contact Resistance:30 mΩ Max.
 Insulator Resistance:100 MΩ Min.
 Operating Temperature:-40°C ~ +85°C.



Recommended PCB Layout
 Tolerance:±0.05mm

ANGLE TOLERANCE		PROJECTION		Description:	
±3°				CR2025 Coin Cell Retainers	
GENERAL TOLERANCE		UNITS	mm	KLS P/N:	L-KLS5-CR2025-206
x.x	±0.30	SHEET SIZE	A4	Draw:	Daniel 2023-02-21
x.xx	±0.20	Check:	Daniel	2023-02-21	
x.xxx	±0.10	NingBo KLS ELECTRONIC CO.,LTD.			