

Plastic cylindrical shape photoelectric sensors **PR30S** series


Features

- ◆ Through beam reflection working principle;
- ◆ Excellent anti-interference performance
- ◆ High detection accuracy



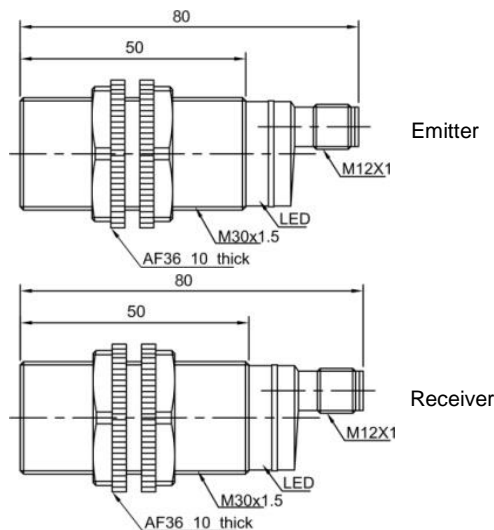
Part number

		Emitter		Receiver				Emitter		Receiver	
NPN	NO	PR30S-TM40D-E2	PR30S-TM40DNO-E2	PNP	NO	PR30S-TM40D-E2	PR30S-TM40DPO-E2				
NPN	NC	PR30S-TM40D-E2	PR30S-TM40DNC-E2	PNP	NC	PR30S-TM40D-E2	PR30S-TM40DPC-E2				
NPN	NO+NC	PR30S-TM40D-E2	PR30S-TM40DNR-E2	PNP	NO+NC	PR30S-TM40D-E2	PR30S-TM40DPR-E2				

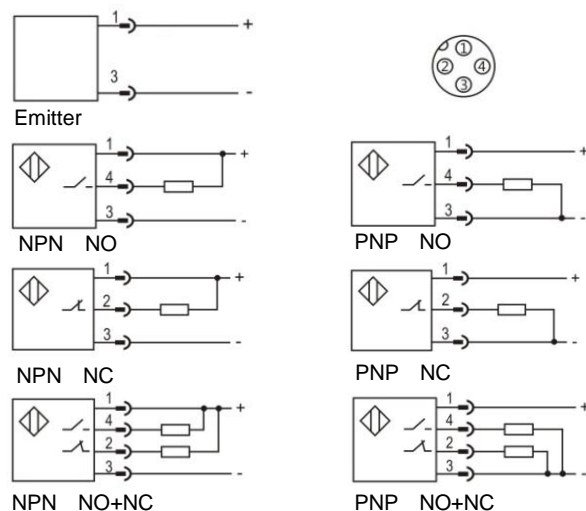
Technical specifications

Detection type	Through beam	Consumption current	≤25mA
Rated distance [Sn]	40m (non-adjustable)	Circuit protection	Short-circuit and reverse polarity
Standard target	> φ15mm opaque object	Response time	< 8.2ms
Light source	Infrared LED (880nm)	Output indicator	Emitter: Green LED Receiver: Yellow LED
Dimensions	M30*80mm	Ambient temperature	-15°C...+55°C
Output	NO/NC (depends on receiver)	Ambient humidity	35-85%RH (non-condensing)
Supply voltage	10...30 VDC	Voltage withstand	1000V/AC 50/60Hz 60s
Min target	Insulation resistance	≥50MΩ(500VDC)
Hysteresis range [%/Sr]	Vibration resistance	10...50Hz (0.5mm)
Repeat accuracy [R]	≤5%	Degree of protection	IP67
Load current	≤200mA (receiver)	Housing material	PBT
Residual voltage	≤2.5V (receiver)	Connection type	M12 Connector

Dimensions



Wiring diagram



Plastic cylindrical shape photoelectric sensors **PR30S** series


Features

- ◆ Through beam reflection working principle;
- ◆ Excellent anti-interference performance
- ◆ High detection accuracy



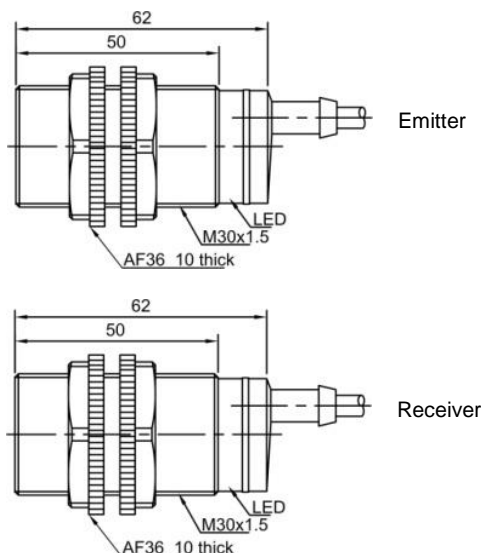
Part number

		Emitter		Receiver				Emitter		Receiver	
NPN	NO	PR30S-TM40D	PR30S-TM40DNO	PNP	NO	PR30S-TM40D	PR30S-TM40DPO	PNP	NO	PR30S-TM40D	PR30S-TM40DPO
NPN	NC	PR30S-TM40D	PR30S-TM40DNC	PNP	NC	PR30S-TM40D	PR30S-TM40DPC	PNP	NC	PR30S-TM40D	PR30S-TM40DPC
NPN	NO+NC	PR30S-TM40D	PR30S-TM40DNR	PNP	NO+NC	PR30S-TM40D	PR30S-TM40DPR	PNP	NO+NC	PR30S-TM40D	PR30S-TM40DPR

Technical specifications

Detection type	Through beam	Consumption current	≤25mA
Rated distance [Sn]	40m (non-adjustable)	Circuit protection	Short-circuit and reverse polarity
Standard target	> φ15mm opaque object	Response time	< 8.2ms
Light source	Infrared LED (880nm)	Output indicator	Emitter: Green LED Receiver: Yellow LED
Dimensions	M30*62mm	Ambient temperature	-15°C...+55°C
Output	NO/NC (depends on receiver)	Ambient humidity	35-85%RH (non-condensing)
Supply voltage	10...30 VDC	Voltage withstand	1000V/AC 50/60Hz 60s
Min target	Insulation resistance	≥50MΩ(500VDC)
Hysteresis range [%/Sr]	Vibration resistance	10...50Hz (0.5mm)
Repeat accuracy [R]	≤5%	Degree of protection	IP67
Load current	≤200mA (receiver)	Housing material	PBT
Residual voltage	≤2.5V (receiver)	Connection type	2m PVC cable

Dimensions



Wiring diagram

