

Metal cylindrical shape photoelectric sensors **PR30S** series



Features

- ◆ Through beam reflection working principle;
- ◆ Excellent anti-interference performance
- ◆ High detection accuracy



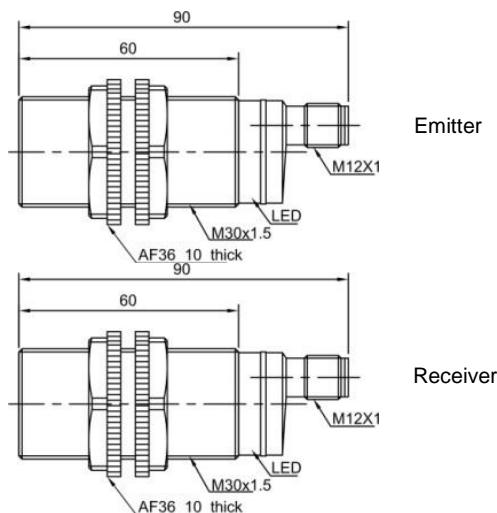
Part number

		Emitter	Receiver			Emitter	Receiver
AC 2 wires	NO	PR30S-TM20A-E2	PR30S-TM20ATO-E2	AC 2 wires	NC	PR20S-TM20A-E2	PR30S-TM20ATC-E2

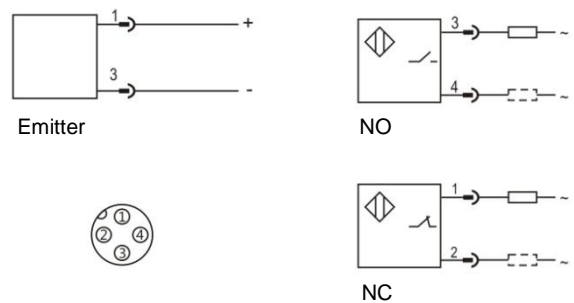
Technical specifications

Detection type	Through beam	Consumption current	≤3mA(receiver)
Rated distance [Sn]	20m (non-adjustable)	Circuit protection
Standard target	> φ15mm opaque object	Response time	< 50ms
Light source	Infrared LED (880nm)	Output indicator	Emitter: Green LED Receiver: Yellow LED
Dimensions	M30*90mm	Ambient temperature	-15°C...+55°C
Output	NO/NC (depends on receiver)	Ambient humidity	35-85%RH (non-condensing)
Supply voltage	20...250 VAC	Voltage withstand	2000V/AC 50/60Hz 60s
Min target	Insulation resistance	≥50MΩ(500VDC)
Hysteresis range [%/Sr]	Vibration resistance	10...50Hz (0.5mm)
Repeat accuracy [R]	≤5%	Degree of protection	IP67
Load current	≤300mA (receiver)	Housing material	PBT
Residual voltage	≤10V (receiver)	Connection type	M12 Connector

Dimensions



Wiring diagram



Plastic cylindrical shape photoelectric sensors **PR30S** series



Features

- ◆ Through beam reflection working principle;
- ◆ Excellent anti-interference performance
- ◆ High detection accuracy



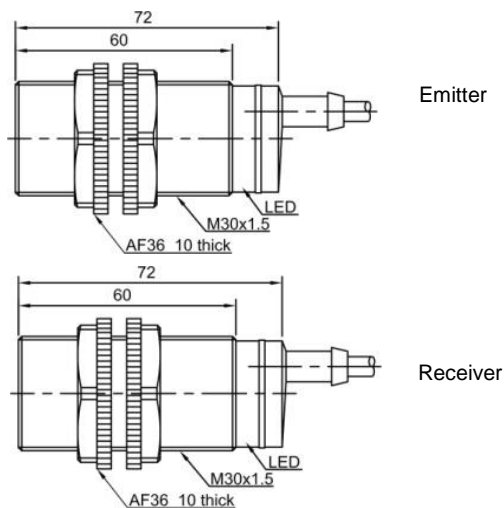
Part number

		Emitter	Receiver			Emitter	Receiver
AC 2 wires	NO	PR30S-TM20A	PR30S-TM20ATO	AC 2 wires	NC	PR30S-TM20A	PR30S-TM20ATC

Technical specifications

Detection type	Through beam	Consumption current	≤3mA(receiver)
Rated distance [Sn]	20m (non-adjustable)	Circuit protection
Standard target	> φ15mm opaque object	Response time	< 50ms
Light source	Infrared LED (880nm)	Output indicator	Emitter: Green LED Receiver: Yellow LED
Dimensions	M30*72mm	Ambient temperature	-15°C...+55°C
Output	NO/NC (depends on receiver)	Ambient humidity	35-85%RH (non-condensing)
Supply voltage	20...250 VAC	Voltage withstand	2000V/AC 50/60Hz 60s
Min target	Insulation resistance	≥50MΩ(500VDC)
Hysteresis range [%/Sr]	Vibration resistance	10...50Hz (0.5mm)
Repeat accuracy [R]	≤5%	Degree of protection	IP67
Load current	≤300mA (receiver)	Housing material	PBT
Residual voltage	≤10V (receiver)	Connection type	2m PVC cable

Dimensions



Wiring diagram

