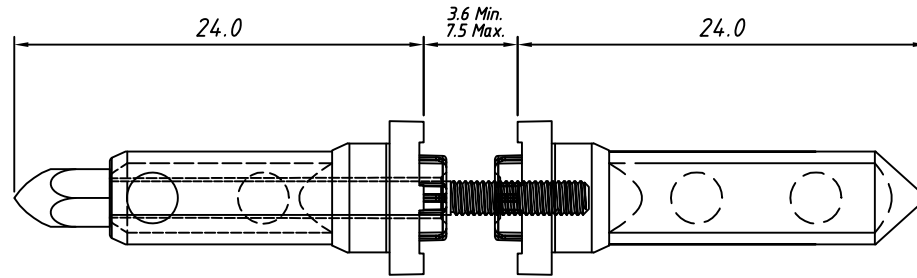
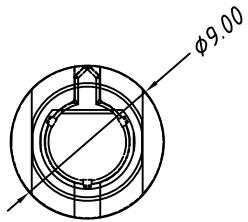
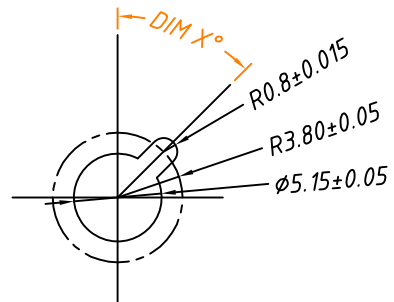


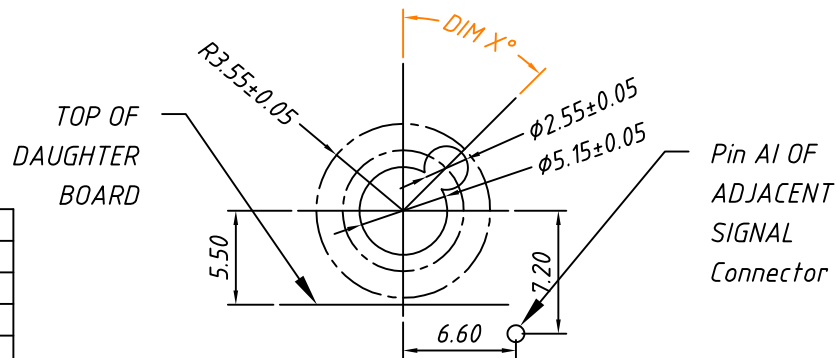
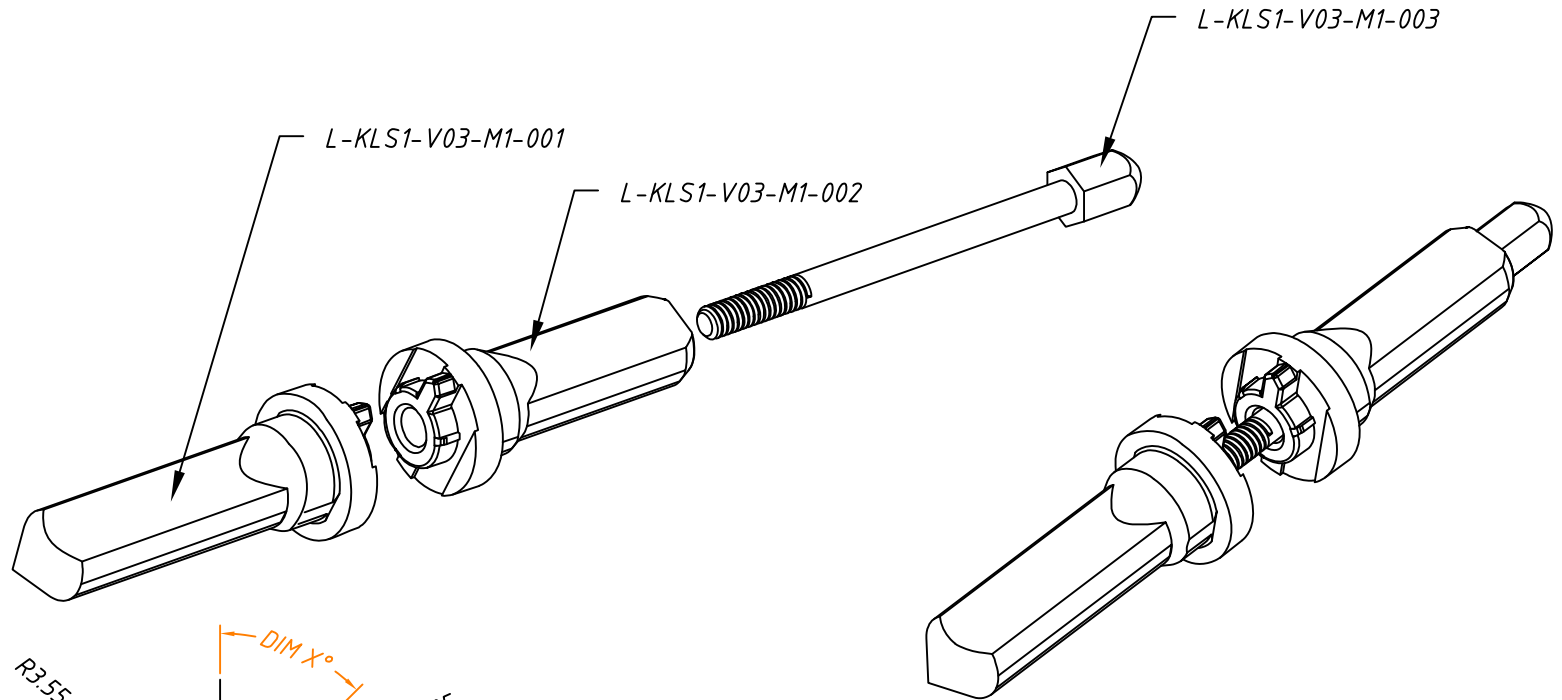
1 RoHS Compliant



Material: Zinc Alloy,
Finish:
3.81 um Min. Silver plated in contact
area over, 1.27 um Min. Nickel plated all over



ALTERNATE PCB LAYOUT
FOR GUIDE POST



TIER 2 GUIDE PIN FOOTPRINT
(20.3mm SIGNAL MODULES)

L-KLS1-V01-F9	—
L-KLS1-V01-F8	315°
L-KLS1-V01-F7	270°
L-KLS1-V01-F3	90°
L-KLS1-V01-F2	45°
L-KLS1-V01-F1	0°

20.3mm Guide Module DIM "X°"
Mating Guide Module

	PROJECTION	Description:	KEY GUIDED PIN VITA46
GENERAL TOLERANCE	UNITS	mm	KLS P/N: L-KLS1-V03-M1
.X ±0.20	Scale	3:1	NingBo KLS ELECTRONIC CO.,LTD.
.XX ±0.10	Draw:	Daniel 2023-1-1	
.XXX ±0.05	Check:	Daniel 2023-1-1	