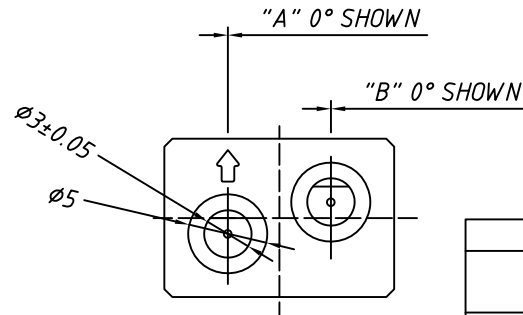
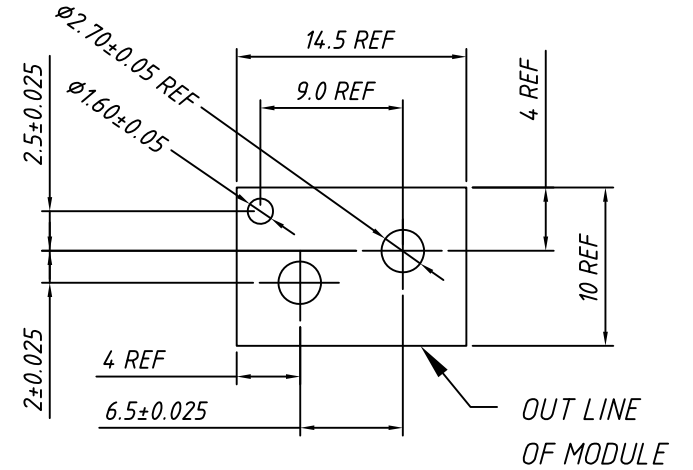
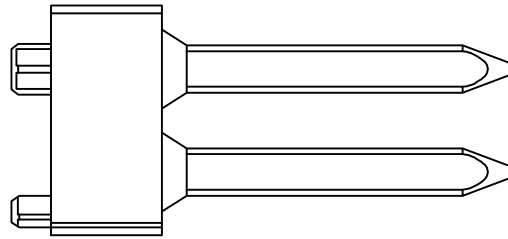
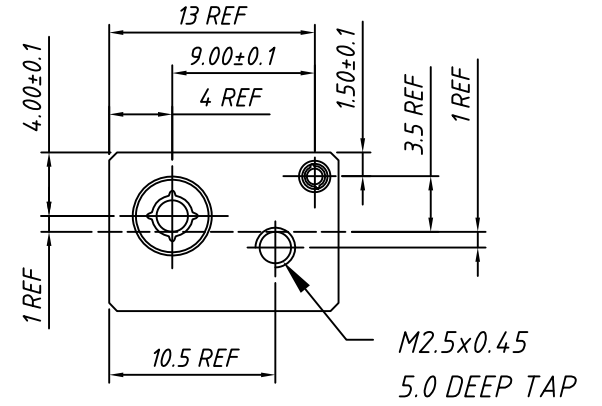
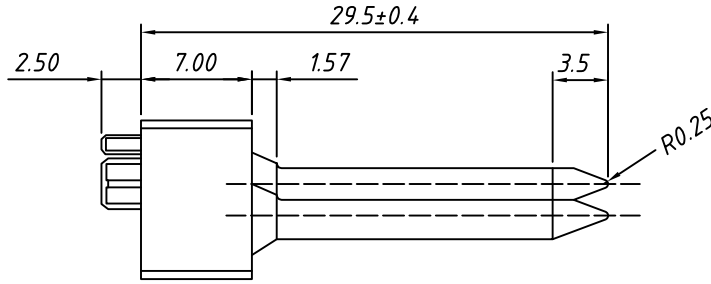
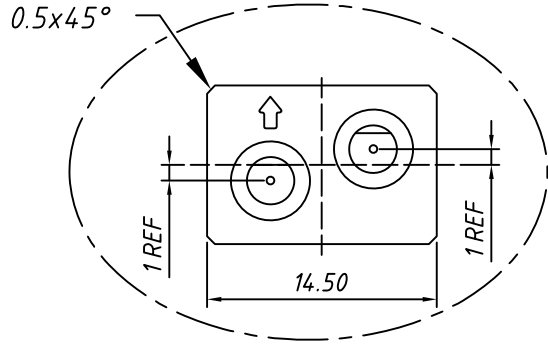


RoHS Compliant

Material: Zinc Alloy, Nickel plated



|                |         |         |       |
|----------------|---------|---------|-------|
| L-KLS1-V02-M68 | 225°    | 315°    |       |
| L-KLS1-V02-M55 | 180°    | 180°    |       |
| L-KLS1-V02-M42 | 135°    | 45°     |       |
| L-KLS1-V02-M37 | 90°     | 270°    |       |
| L-KLS1-V02-M11 | 0°      | 0°      |       |
| P/N            | Angle A | Angle B | Shape |

|                   |        |                              |                |
|-------------------|--------|------------------------------|----------------|
| PROJECTION        |        | Description:                 |                |
|                   |        | GUIDE MODULE MALE VERT SHORT |                |
| GENERAL TOLERANCE | UNITS  | mm                           | KLS P/N:       |
| .X ±0.20          | Scale  | 2:1                          | L-KLS1-V02-Mxx |
| .XX ±0.10         | Draw:  | Daniel                       | 2023-1-1       |
| .XXX ±0.05        | Check: | Daniel                       | 2023-1-1       |

NingBo KLS ELECTRONIC CO.,LTD.