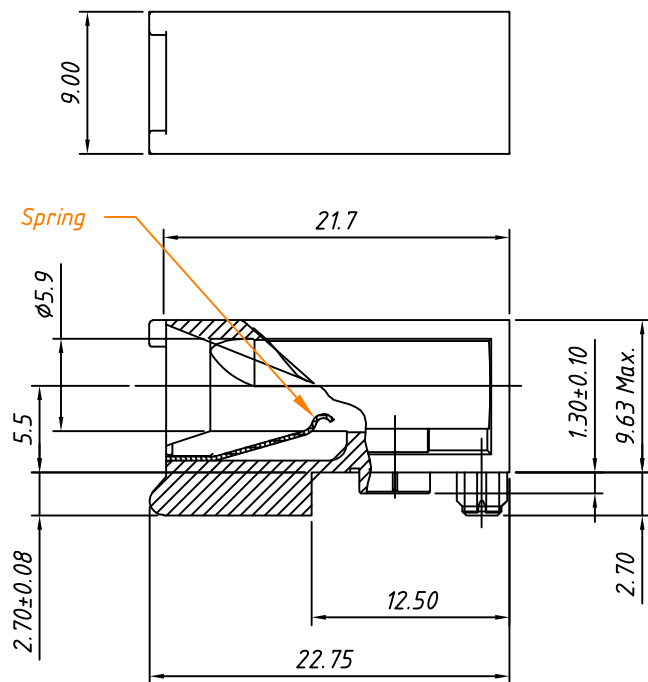
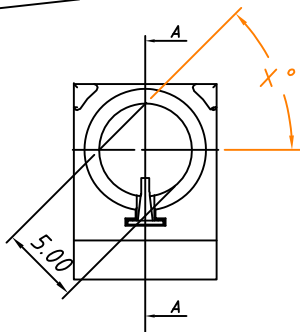
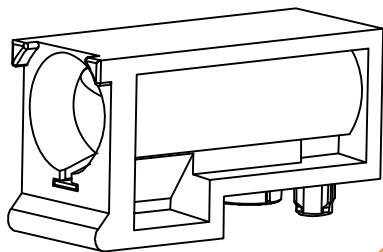
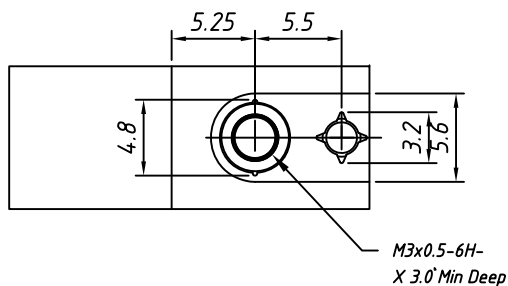


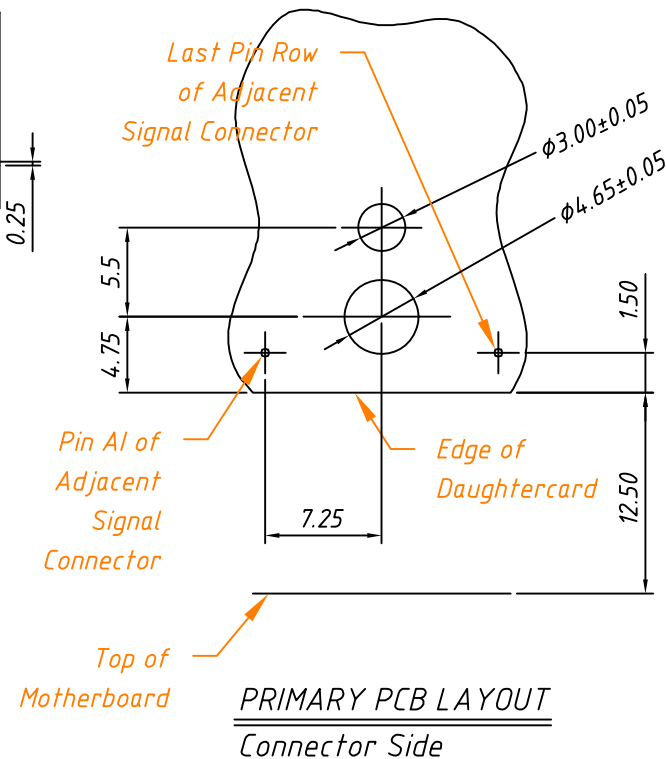
RoHS Compliant



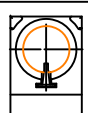
SECTION A-A



Material: Zinc Alloy,
Finish:
3.81 um Min. Silver plated in contact
area over, 1.27 um Min. Nickel plated all over

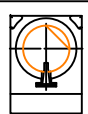


L-KLS1-V01-F9



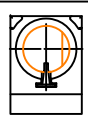
L-KLS1-V01-F8

315°



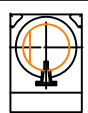
L-KLS1-V01-F7

270°



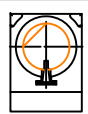
L-KLS1-V01-F3

90°



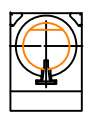
L-KLS1-V01-F2

45°



L-KLS1-V01-F1

0°



P/N Angle X° Shape

		PROJECTION	Description:	MOD KEY GUIDE VITA46	
GENERAL TOLERANCE	UNITS	mm	KLS P/N:	L-KLS1-V01-Fx	
.X	±0.20	Scale	2:1	NingBo KLS ELECTRONIC CO.,LTD.	
.XX	±0.10	Draw:	Daniel 2023-1-1		
.XXX	±0.05	Check:	Daniel 2023-1-1		