

Plastic cylindrical shape photoelectric sensors **PR30S** series


Features

- ◆ Retro reflection working principle;
- ◆ Excellent anti-interference performance
- ◆ High detection accuracy



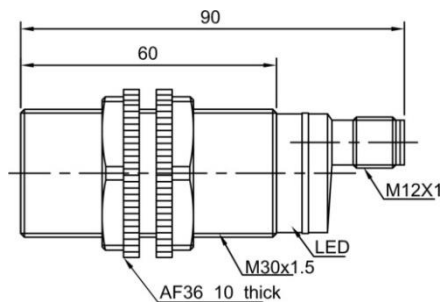
Part number

AC 2 wires NO	PR30S-DM5ATO-E2	AC 2 wires NC	PR30S-DM5ATC-E2
---------------	-----------------	---------------	-----------------

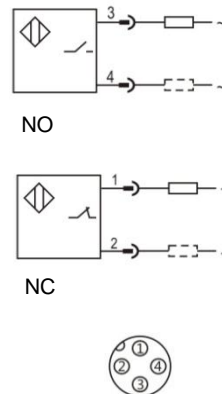
Technical specifications

Detection type	Retro reflection	Consumption current	≤3mA
Rated distance [Sn]	5m (non-adjustable)	Circuit protection
Standard target	TD-09 reflector	Response time	< 50ms
Light source	Infrared LED (880nm)	Output indicator	Yellow LED
Dimensions	M30*90mm	Ambient temperature	-15°C...+55°C
Output	NO/NC (depends on part No.)	Ambient humidity	35-85%RH (non-condensing)
Supply voltage	20...250 VAC	Voltage withstand	2000V/AC 50/60Hz 60s
Target	Opaque object	Insulation resistance	≥50MΩ(500VDC)
Hysteresis range [%/Sr]	Vibration resistance	10...50Hz (0.5mm)
Repeat accuracy [R]	≤5%	Degree of protection	IP67
Load current	≤300mA	Housing material	PBT
Residual voltage	≤10V	Connection type	M12 Connector

Dimensions



Wiring diagram



Plastic cylindrical shape photoelectric sensors **PR30S** series


Features

- ◆ Retro reflection working principle;
- ◆ Excellent anti-interference performance
- ◆ High detection accuracy



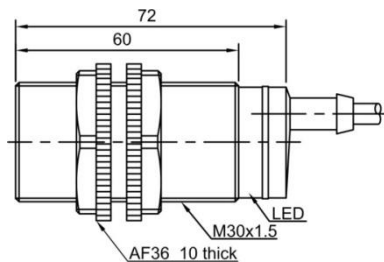
Part number

AC 2 wires NO	PR30S-DM5ATO	AC 2 wires NC	PR30S-DM5ATC
---------------	--------------	---------------	--------------

Technical specifications

Detection type	Retro reflection	Consumption current	≤3mA
Rated distance [Sn]	5m (non-adjustable)	Circuit protection
Standard target	TD-09 reflector	Response time	< 50ms
Light source	Infrared LED (880nm)	Output indicator	Yellow LED
Dimensions	M30*72mm	Ambient temperature	-15°C...+55°C
Output	NO/NC (depends on part No.)	Ambient humidity	35-85%RH (non-condensing)
Supply voltage	20...250 VAC	Voltage withstand	2000V/AC 50/60Hz 60s
Target	Opaque object	Insulation resistance	≥50MΩ(500VDC)
Hysteresis range [%/Sr]	Vibration resistance	10...50Hz (0.5mm)
Repeat accuracy [R]	≤5%	Degree of protection	IP67
Load current	≤300mA	Housing material	PBT
Residual voltage	≤10V	Connection type	2m PVC cable

Dimensions



Wiring diagram

