

Plastic cylindrical shape photoelectric sensors **PR30S** series


Features

- ◆ Diffuse reflection working principle;
- ◆ Excellent anti-interference performance
- ◆ High detection accuracy



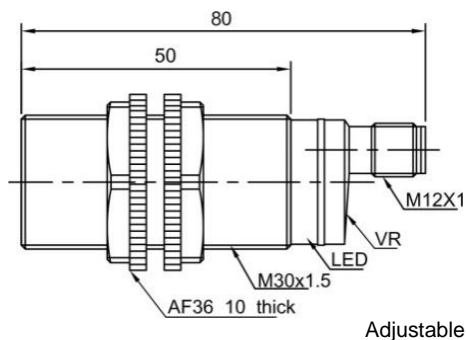
Part number

| | | | | | |
|-----------|------------------|-------------------|-----------|------------------|-------------------|
| NPN NO | PR30S-BC50DNO-E2 | PR30S-BC100DNO-E2 | PNP NO | PR30S-BC50DPO-E2 | PR30S-BC100DPO-E2 |
| NPN NC | PR30S-BC50DNC-E2 | PR30S-BC100DNC-E2 | PNP NC | PR30S-BC50DPC-E2 | PR30S-BC100DPC-E2 |
| NPN NO+NC | PR30S-BC50DNR-E2 | PR30S-BC100DNR-E2 | PNP NO+NC | PR30S-BC50DPR-E2 | PR30S-BC100DPR-E2 |

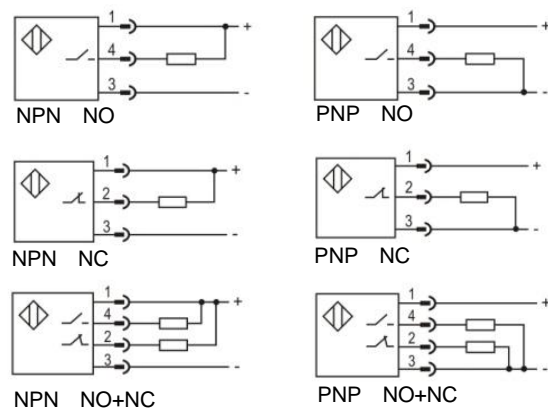
Technical specifications

| | | | |
|-------------------------|------------------------------------|-----------------------|--|
| Detection type | Diffuse reflection | Consumption current | ≤25mA |
| Rated distance [Sn] | 50cm (adjustable)100cm(adjustable) | Circuit protection | Short-circuit, overload and reverse polarity |
| Standard target | White card reflection rate 90% | Response time | < 8.2ms |
| Light source | Infrared LED (880nm) | Output indicator | Yellow LED |
| Dimensions | M30*80mm | Ambient temperature | -15°C...+55°C |
| Output | NO/NC (depends on part No.) | Ambient humidity | 35-85%RH (non-condensing) |
| Supply voltage | 10...30 VDC | Voltage withstand | 1000V/AC 50/60Hz 60s |
| Target | Opaque object | Insulation resistance | ≥50MΩ(500VDC) |
| Hysteresis range [%/Sr] | 3...20% | Vibration resistance | 10...50Hz (0.5mm) |
| Repeat accuracy [R] | ≤5% | Degree of protection | IP67 |
| Load current | ≤200mA | Housing material | PBT |
| Residual voltage | ≤2.5V | Connection type | M12 Connector |

Dimensions



Wiring diagram



Plastic cylindrical shape photoelectric sensors PR30S series



Features

- ◆ Diffuse reflection working principle;
- ◆ Excellent anti-interference performance
- ◆ High detection accuracy



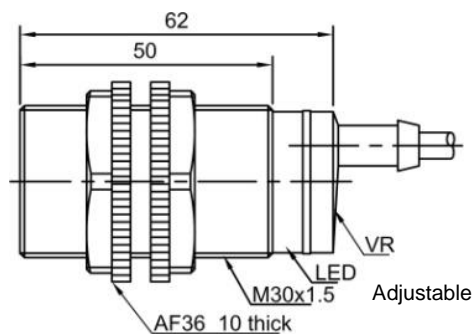
Part number

| | | | | | |
|-----------|---------------|----------------|-----------|---------------|----------------|
| NPN NO | PR30S-BC50DNO | PR30S-BC100DNO | PNP NO | PR30S-BC50DPO | PR30S-BC100DPO |
| NPN NC | PR30S-BC50DNC | PR30S-BC100DNC | PNP NC | PR30S-BC50DPC | PR30S-BC100DPC |
| NPN NO+NC | PR30S-BC50DNR | PR30S-BC100DNR | PNP NO+NC | PR30S-BC50DPR | PR30S-BC100DPR |

Technical specifications

| | | | |
|-------------------------|------------------------------------|-----------------------|--|
| Detection type | Diffuse reflection | Consumption current | ≤25mA |
| Rated distance [Sn] | 50cm (adjustable)100cm(adjustable) | Circuit protection | Short-circuit, overload and reverse polarity |
| Standard target | White card reflection rate 90% | Response time | < 8.2ms |
| Light source | Infrared LED (880nm) | Output indicator | Yellow LED |
| Dimensions | M30*62mm | Ambient temperature | -15°C...+55°C |
| Output | NO/NC (depends on part No.) | Ambient humidity | 35-85%RH (non-condensing) |
| Supply voltage | 10...30 VDC | Voltage withstand | 1000V/AC 50/60Hz 60s |
| Target | Opaque object | Insulation resistance | ≥50MΩ(500VDC) |
| Hysteresis range [%/Sr] | 3...20% | Vibration resistance | 10...50Hz (0.5mm) |
| Repeat accuracy [R] | ≤5% | Degree of protection | IP67 |
| Load current | ≤200mA | Housing material | PBT |
| Residual voltage | ≤2.5V | Connection type | 2m PVC cable |

Dimensions



Wiring diagram

