

## Plastic cylindrical shape photoelectric sensors PR18GS series



### Features

- ◆ Through beam reflection working principle;
- ◆ Excellent anti-interference performance
- ◆ High detection accuracy



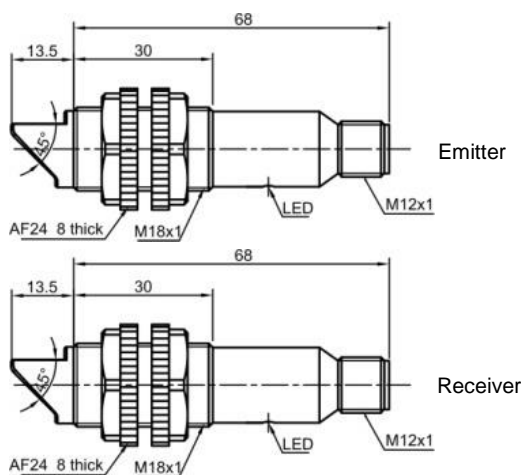
### Part number

		Emitter		Receiver				Emitter		Receiver	
NPN	NO	PR18GS-TM10D-E2	PR18GS-TM10D-E2	PR18GS-TM10DNO-E2		PNP	NO	PR18GS-TM10D-E2	PR18GS-TM10D-E2	PR18GS-TM10DPO-E2	
NPN	NC	PR18GS-TM10D-E2	PR18GS-TM10D-E2	PR18GS-TM10DNC-E2		PNP	NC	PR18GS-TM10D-E2	PR18GS-TM10D-E2	PR18GS-TM10DPC-E2	
NPN	NO+NC	PR18GS-TM10D-E2	PR18GS-TM10D-E2	PR18GS-TM10DNR-E2		PNP	NO+NC	PR18GS-TM10D-E2	PR18GS-TM10D-E2	PR18GS-TM10DPR-E2	

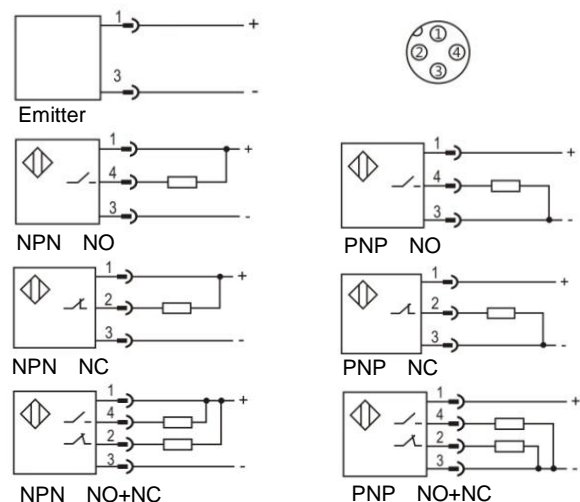
### Technical specifications

Detection type	Through beam	Consumption current	≤25mA
Rated distance [Sn]	10m (non-adjustable)	Circuit protection	Short-circuit and reverse polarity
Standard target	>φ15mm opaque object	Response time	< 8.2ms
Light source	Infrared LED (880nm)	Output indicator	Emitter: Green LED Receiver: Yellow LED
Dimensions	M18*81.5mm	Ambient temperature	-15°C...+55°C
Output	NO/NC (depends on receiver)	Ambient humidity	35-85%RH (non-condensing)
Supply voltage	10...30 VDC	Voltage withstand	1000V/AC 50/60Hz 60s
Min target	.....	Insulation resistance	≥50MΩ(500VDC)
Hysteresis range [%/Sr]	.....	Vibration resistance	10...50Hz (0.5mm)
Repeat accuracy [R]	≤5%	Degree of protection	IP65
Load current	≤200mA (receiver)	Housing material	PBT
Residual voltage	≤2.5V (receiver)	Connection type	M12 Connector

### Dimensions



### Wiring diagram



## Plastic cylindrical shape photoelectric sensors PR18GS series



### Features

- ◆ Through beam reflection working principle;
- ◆ Excellent anti-interference performance
- ◆ High detection accuracy



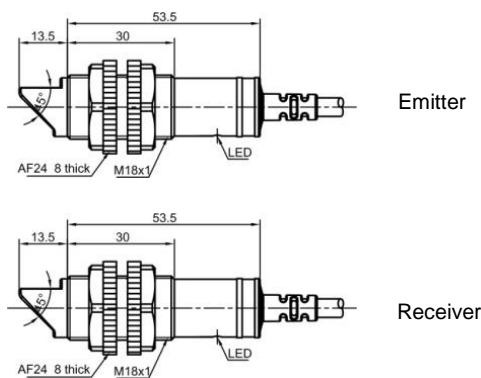
### Part number

		Emitter		Receiver	
NPN	NO	PR18GS-TM10D	PR18GS-TM10DNO	PNP	NO
NPN	NC	PR18GS-TM10D	PR18GS-TM10DNC	PNP	NC
NPN	NO+NC	PR18GS-TM10D	PR18GS-TM10DNR	PNP	NO+NC

### Technical specifications

Detection type	Through beam	Consumption current	≤25mA
Rated distance [Sn]	10m (non-adjustable)	Circuit protection	Short-circuit and reverse polarity
Standard target	> φ15mm opaque object	Response time	< 8.2ms
Light source	Infrared LED (880nm)	Output indicator	Emitter: Green LED Receiver: Yellow LED
Dimensions	M18*67mm	Ambient temperature	-15°C...+55°C
Output	NO/NC (depends on receiver)	Ambient humidity	35-85%RH (non-condensing)
Supply voltage	10...30 VDC	Voltage withstand	1000V/AC 50/60Hz 60s
Min target	.....	Insulation resistance	≥50MΩ(500VDC)
Hysteresis range [%/Sr]	.....	Vibration resistance	10...50Hz (0.5mm)
Repeat accuracy [R]	≤5%	Degree of protection	IP65
Load current	≤200mA (receiver)	Housing material	PBT
Residual voltage	≤2.5V (receiver)	Connection type	2m PVC cable

### Dimensions



### Wiring diagram

