

Metal cylindrical shape photoelectric sensors **PR18S** series


Features

- ◆ Through beam reflection working principle;
- ◆ Excellent anti-interference performance
- ◆ High detection accuracy



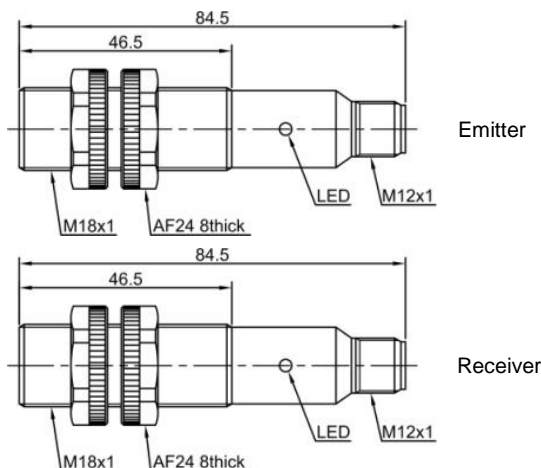
Part number

		Emitter		Receiver				Emitter		Receiver	
AC 2 wires	NO	PR18S-TM10A-E2	PR18S-TM10ATO-E2	AC 2 wires	NC	PR18S-TM10A-E2	PR18S-TM10ATC-E2				

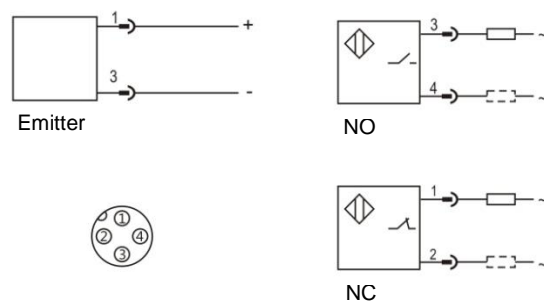
Technical specifications

Detection type	Through beam	Consumption current	≤3mA(receiver)
Rated distance [Sn]	10m (non-adjustable)	Circuit protection
Standard target	> φ15mm opaque object	Response time	< 50ms
Light source	Infrared LED (880nm)	Output indicator	Emitter: Green LED Receiver: Yellow LED
Dimensions	M18*84.5mm	Ambient temperature	-15°C...+55°C
Output	NO/NC (depends on receiver)	Ambient humidity	35-85%RH (non-condensing)
Supply voltage	20...250 VAC	Voltage withstand	2000V/AC 50/60Hz 60s
Min target	Insulation resistance	≥50MΩ(500VDC)
Hysteresis range [%/Sr]	Vibration resistance	10...50Hz (0.5mm)
Repeat accuracy [R]	≤5%	Degree of protection	IP67
Load current	≤300mA (receiver)	Housing material	PBT
Residual voltage	≤10V (receiver)	Connection type	M12 Connector

Dimensions



Wiring diagram



Plastic cylindrical shape photoelectric sensors **PR18S** series



Features

- ◆ Through beam reflection working principle;
- ◆ Excellent anti-interference performance
- ◆ High detection accuracy



Part number		Emitter	Receiver	Emitter	Receiver		
AC 2 wires	NO	PR18S-TM10A	PR18S-TM10ATO	AC 2 wires	NC	PR18S-TM10A	PR18S-TM10ATC

Technical specifications

Detection type	Through beam	Consumption current	≤3mA (receiver)
Rated distance [Sn]	10m (non-adjustable)	Circuit protection
Standard target	> φ15mm opaque object	Response time	< 50ms
Light source	Infrared LED (880nm)	Output indicator	Emitter: Green LED Receiver: Yellow LED
Dimensions	M18*70mm	Ambient temperature	-15°C...+55°C
Output	NO/NC (depends on receiver)	Ambient humidity	35-85%RH (non-condensing)
Supply voltage	20...250 VAC	Voltage withstand	2000V/AC 50/60Hz 60s
Min target	Insulation resistance	≥50MΩ(500VDC)
Hysteresis range [%/Sr]	Vibration resistance	10...50Hz (0.5mm)
Repeat accuracy [R]	≤5%	Degree of protection	IP67
Load current	≤300mA (receiver)	Housing material	PBT
Residual voltage	≤10V (receiver)	Connection type	2m PVC cable

Dimensions Wiring diagram

