

Metal cylindrical shape photoelectric sensors **PR18** series


Features

- ◆ Through beam reflection working principle;
- ◆ Excellent anti-interference performance
- ◆ High detection accuracy



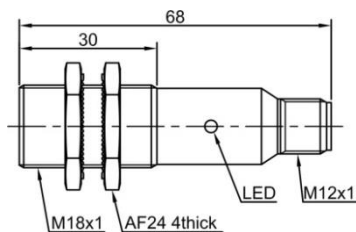
Part number

| | | | |
|-----------|----------------|-----------|----------------|
| NPN NO | PR18-DM3DNO-E2 | PNP NO | PR18-DM3DPO-E2 |
| NPN NC | PR18-DM3DNC-E2 | PNP NC | PR18-DM3DPC-E2 |
| NPN NO+NC | PR18-DM3DNR-E2 | PNP NO+NC | PR18-DM3DPR-E2 |

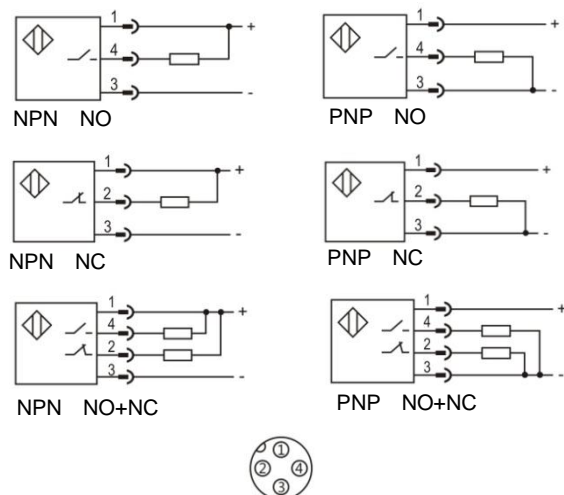
Technical specifications

| | | | |
|-------------------------------|-----------------------------|-----------------------|--|
| Detection type | Retro reflection | Consumption current | ≤25mA |
| Rated distance [Sn] | 3m (non-adjustable) | Circuit protection | Short-circuit, overload and reverse polarity |
| Standard target | TD-09 reflector | Response time | < 8.2ms |
| Light source | Infrared LED (880nm) | Output indicator | Yellow LED |
| Dimensions | M18*68mm | Ambient temperature | -15°C...+55°C |
| Output | NO/NC (depends on part No.) | Ambient humidity | 35-85%RH (non-condensing) |
| Supply voltage | 10...30 VDC | Voltage withstand | 1000V/AC 50/60Hz 60s |
| Target | Opaque object | Insulation resistance | ≥50MΩ(500VDC) |
| Hysteresis range [%/Sr] | | Vibration resistance | 10...50Hz (0.5mm) |
| Repeat accuracy [R] | ≤5% | Degree of protection | IP67 |
| Load current | ≤200mA | Housing material | Nickel-copper alloy |
| Residual voltage | ≤2.5V | Connection type | M12 Connector |

Dimensions



Wiring diagram



Metal cylindrical shape photoelectric sensors PR18 series



Features

- ◆ Through beam reflection working principle;
- ◆ Excellent anti-interference performance
- ◆ High detection accuracy



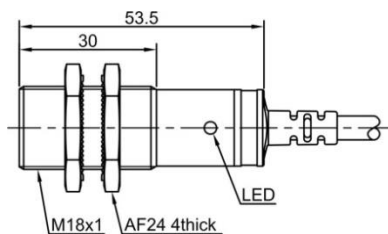
Part number

| | | | |
|-----------|-------------|-----------|-------------|
| NPN NO | PR18-DM3DNO | PNP NO | PR18-DM3DPO |
| NPN NC | PR18-DM3DNC | PNP NC | PR18-DM3DPC |
| NPN NO+NC | PR18-DM3DNR | PNP NO+NC | PR18-DM3DPR |

Technical specifications

| | | | |
|-------------------------------|-----------------------------|-----------------------|--|
| Detection type | Retro reflection | Consumption current | ≤25mA |
| Rated distance [Sn] | 3m (non-adjustable) | Circuit protection | Short-circuit, overload and reverse polarity |
| Standard target | TD-09 reflector | Response time | < 8.2ms |
| Light source | Infrared LED (880nm) | Output indicator | Yellow LED |
| Dimensions | M18*53.5mm | Ambient temperature | -15°C...+55°C |
| Output | NO/NC (depends on part No.) | Ambient humidity | 35-85%RH (non-condensing) |
| Supply voltage | 10...30 VDC | Voltage withstand | 1000V/AC 50/60Hz 60s |
| Target | Opaque object | Insulation resistance | ≥50MΩ(500VDC) |
| Hysteresis range [%/Sr] | | Vibration resistance | 10...50Hz (0.5mm) |
| Repeat accuracy [R] | ≤5% | Degree of protection | IP67 |
| Load current | ≤200mA | Housing material | Nickel-copper alloy |
| Residual voltage | ≤2.5V | Connection type | 2m PVC cable |

Dimensions



Wiring diagram

