

Plastic cylindrical shape photoelectric sensors **PR18S** series


## Features

- ◆ Through beam reflection working principle;
- ◆ Excellent anti-interference performance
- ◆ High detection accuracy



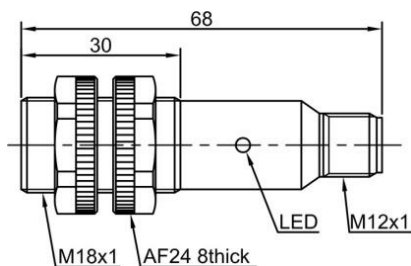
## Part number

NPN NO	PR18S-DM3DNO-E2	PNP NO	PR18S-DM3DPO-E2
NPN NC	PR18S-DM3DNC-E2	PNP NC	PR18S-DM3DPC-E2
NPN NO+NC	PR18S-DM3DNR-E2	PNP NO+NC	PR18S-DM3DPR-E2

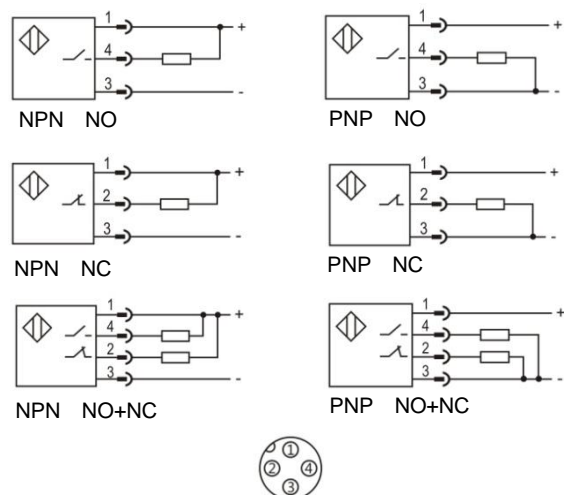
## Technical specifications

Detection type	Retro reflection	Consumption current	≤25mA
Rated distance [Sn]	3m (non-adjustable)	Circuit protection	Short-circuit, overload and reverse polarity
Standard target	TD-09 reflector	Response time	< 8.2ms
Light source	Infrared LED (880nm)	Output indicator	Yellow LED
Dimensions	M18*68mm	Ambient temperature	-15°C...+55°C
Output	NO/NC (depends on part No.)	Ambient humidity	35-85%RH (non-condensing)
Supply voltage	10...30 VDC	Voltage withstand	1000V/AC 50/60Hz 60s
Target	Opaque object	Insulation resistance	≥50MΩ(500VDC)
Hysteresis range [%/Sr] .....		Vibration resistance	10...50Hz (0.5mm)
Repeat accuracy [R]	≤5%	Degree of protection	IP67
Load current	≤200mA	Housing material	PBT
Residual voltage	≤2.5V	Connection type	M12 Connector

## Dimensions



## Wiring diagram



Plastic cylindrical shape photoelectric sensors **PR18S** series


## Features

- ◆ Through beam reflection working principle;
- ◆ Excellent anti-interference performance
- ◆ High detection accuracy



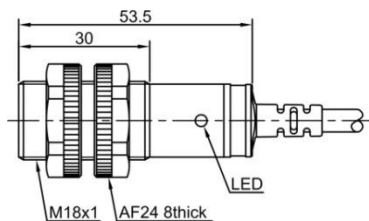
## Part number

NPN NO	PR18S-DM3DNO	PNP NO	PR18S-DM3DPO
NPN NC	PR18S-DM3DNC	PNP NC	PR18S-DM3DPC
NPN NO+NC	PR18S-DM3DNR	PNP NO+NC	PR18S-DM3DPR

## Technical specifications

Detection type	Retro reflection	Consumption current	≤25mA
Rated distance [Sn]	3m (non-adjustable)	Circuit protection	Short-circuit, overload and reverse polarity
Standard target	TD-09 reflector	Response time	< 8.2ms
Light source	Infrared LED (880nm)	Output indicator	Yellow LED
Dimensions	M18*53.5mm	Ambient temperature	-15°C...+55°C
Output	NO/NC (depends on part No.)	Ambient humidity	35-85%RH (non-condensing)
Supply voltage	10...30 VDC	Voltage withstand	1000V/AC 50/60Hz 60s
Target	Opaque object	Insulation resistance	≥50MΩ(500VDC)
Hysteresis range [%/Sr] .....		Vibration resistance	10...50Hz (0.5mm)
Repeat accuracy [R]	≤5%	Degree of protection	IP67
Load current	≤200mA	Housing material	PBT
Residual voltage	≤2.5V	Connection type	2m PVC cable

## Dimensions



## Wiring diagram

