

SECTION A-A

Material

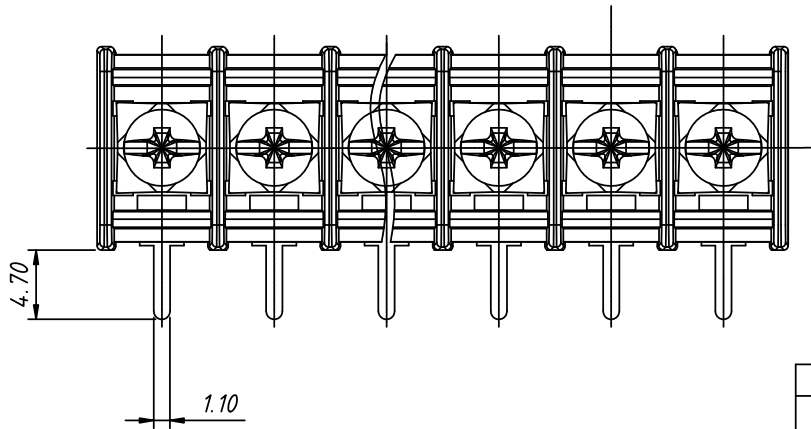
Screw: M3.0, Steel, Ni Plated
 Pin header: Brass, 0.8t, Tin Plated
 Housing: PA66, UL 94V-0, Black

Electrical

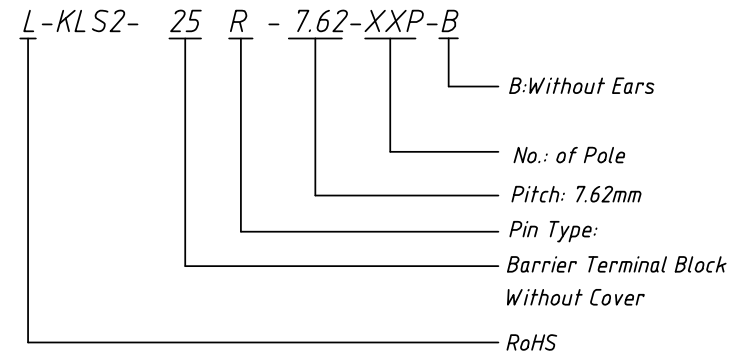
Rated voltage: 300V
 Rated current: 15A
 Wire range: 22~14AWG 2.5mm²
 Contact Resistance: 20 mΩ
 Insulation resistance: 500MΩ/DC500V
 Withstand voltage: AC2000V / 1 min

Mechanical

Temp. Range: -40 °C ~ +105 °C
 Torque: 0.5Nm (4.5Lb.in)



Order Information



GENERAL TOLERANCE		ANGLE TOLERANCE		PROJECTION	Description:	
X	±0.60	X	±5°	UNITS	Barrier TERM BLOCK 7.62MM	
.X	±0.38	.X	±3°	SHEET SIZE		A4
.XX	±0.25	.XX	±2°	KLS P/N:		L-KLS2-25R-7.62-XXP-B

Draw by: Date	2015-09-01
Check by: Date	2015-09-15
SCALE	SHEET OF

KLS
 NingBo KLS ELECTRONIC CO.,LTD.