

Plastic cylindrical shape photoelectric sensors **PR18S** series


Features

- ◆ Diffuse reflection working principle;
- ◆ Excellent anti-interference performance
- ◆ High detection accuracy



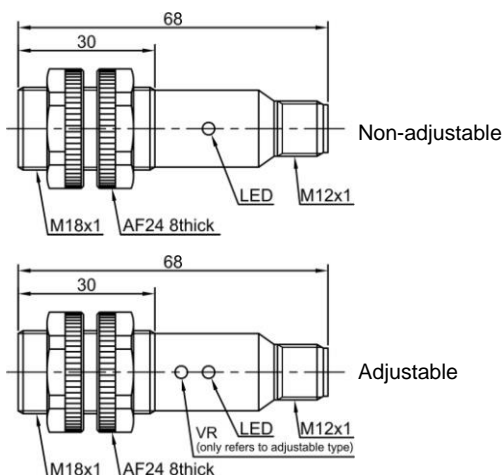
Part number

NPN NO	PR18S-BC10DNO-E2	PR18S-BC40DNO-E2	PNP NO	PR18S-BC10DPO-E2	PR18S-BC40DPO-E2
NPN NC	PR18S-BC10DNC-E2	PR18S-BC40DNC-E2	PNP NC	PR18S-BC10DPC-E2	PR18S-BC40DPC-E2
NPN NO+NC	PR18S-BC10DNR-E2	PR18S-BC40DNR-E2	PNP NO+NC	PR18S-BC10DPR-E2	PR18S-BC40DPR-E2

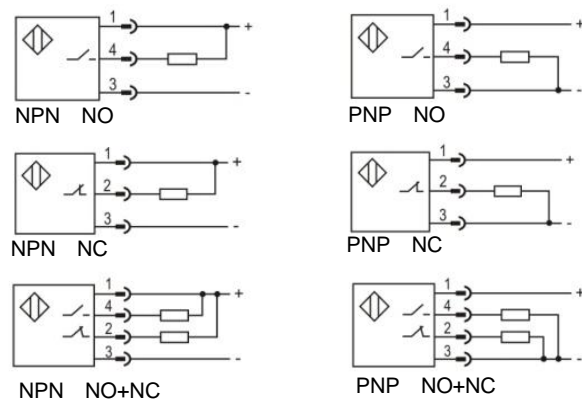
Technical specifications

Detection type	Diffuse reflection	Consumption current	≤25mA
Rated distance [Sn]	10cm (non-adjustable)40cm(adjustable)	Circuit protection	Short-circuit, overload and reverse polarity
Standard target	White card reflection rate 90%	Response time	< 8.2ms
Light source	Infrared LED (880nm)	Output indicator	Yellow LED
Dimensions	M18*68mm	Ambient temperature	-15°C...+55°C
Output	NO/NC (depends on part No.)	Ambient humidity	35-85%RH (non-condensing)
Supply voltage	10...30 VDC	Voltage withstand	1000V/AC 50/60Hz 60s
Target	Opaque object	Insulation resistance	≥50MΩ(500VDC)
Hysteresis range [%/Sr]	3...20%	Vibration resistance	10...50Hz (0.5mm)
Repeat accuracy [R]	≤5%	Degree of protection	IP67
Load current	≤200mA	Housing material	PBT
Residual voltage	≤2.5V	Connection type	M12 Connector

Dimensions



Wiring diagram



Plastic cylindrical shape photoelectric sensors PR18S series



Features

- ◆ Diffuse reflection working principle;
- ◆ Excellent anti-interference performance
- ◆ High detection accuracy



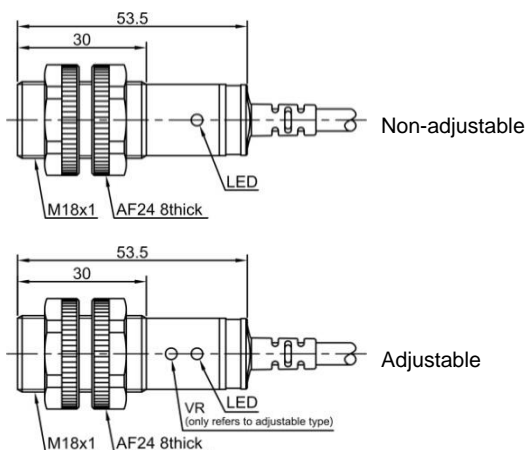
Part number

NPN NO	PR18S-BC10DNO	PR18S-BC40DNO	PNP NO	PR18S-BC10DPO	PR18S-BC40DPO
NPN NC	PR18S-BC10DNC	PR18S-BC40DNC	PNP NC	PR18S-BC10DPC	PR18S-BC40DPC
NPN NO+NC	PR18S-BC10DNR	PR18S-BC40DNR	PNP NO+NC	PR18S-BC10DPR	PR18S-BC40DPR

Technical specifications

Detection type	Diffuse reflection	Consumption current	≤25mA
Rated distance [Sn]	10cm (non-adjustable)40cm(adjustable)	Circuit protection	Short-circuit, overload and reverse polarity
Standard target	White card reflection rate 90%	Response time	< 8.2ms
Light source	Infrared LED (880nm)	Output indicator	Yellow LED
Dimensions	M18*53.5mm	Ambient temperature	-15°C...+55°C
Output	NO/NC (depends on part No.)	Ambient humidity	35-85%RH (non-condensing)
Supply voltage	10...30 VDC	Voltage withstand	1000V/AC 50/60Hz 60s
Target	Opaque object	Insulation resistance	≥50MΩ(500VDC)
Hysteresis range [%/Sr]	3...20%	Vibration resistance	10...50Hz (0.5mm)
Repeat accuracy [R]	≤5%	Degree of protection	IP67
Load current	≤200mA	Housing material	PBT
Residual voltage	≤2.5V	Connection type	2m PVC cable

Dimensions



Wiring diagram

