

## Plastic cylindrical shape photoelectric sensors PR12S series



### Features

- ◆ Through beam reflection working principle;
- ◆ Excellent anti-interference performance
- ◆ High detection accuracy



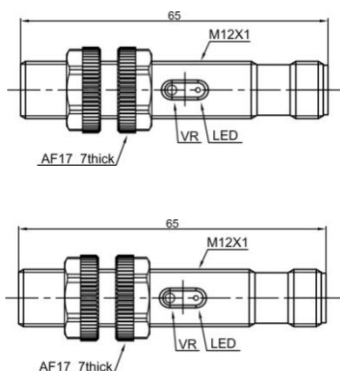
### Part number

		Emitter		Receiver				Emitter		Receiver	
NPN	NO	PR12S-TM5D-E2	PR12S-TM5DNO-E2	PNP	NO	PR12S-TM5D-E2	PR12S-TM5DPO-E2				
NPN	NC	PR12S-TM5D-E2	PR12S-TM5DNC-E2	PNP	NC	PR12S-TM5D-E2	PR12S-TM5DPC-E2				
NPN	NO+NC	PR12S-TM5D-E2	PR12S-TM5DNR-E2	PNP	NO+NC	PR12S-TM5D-E2	PR12S-TM5DPR-E2				

### Technical specifications

Detection type	Through beam	Consumption current	≤25mA
Rated distance [Sn]	5m (non-adjustable)	Circuit protection	Short-circuit and reverse polarity
Standard target	>φ10mm opaque object	Response time	< 8.2ms
Light source	Infrared LED (880nm)	Output indicator	Emitter: Green LED Receiver: Yellow LED
Dimensions	M12*65mm	Ambient temperature	-15°C...+55°C
Output	NO/NC (depends on receiver)	Ambient humidity	35-95%RH
Supply voltage	10...30 VDC	Voltage withstand	1000V/AC 50/60Hz 60s
Min target	.....	Insulation resistance	≥50MΩ(500VDC)
Hysteresis range [%/Sr]	.....	Vibration resistance	10...50Hz (0.5mm)
Repeat accuracy [R]	≤5%	Degree of protection	IP67
Load current	≤200mA (receiver)	Housing material	PBT
Residual voltage	≤2.5V (receiver)	Connection type	M12 Connector

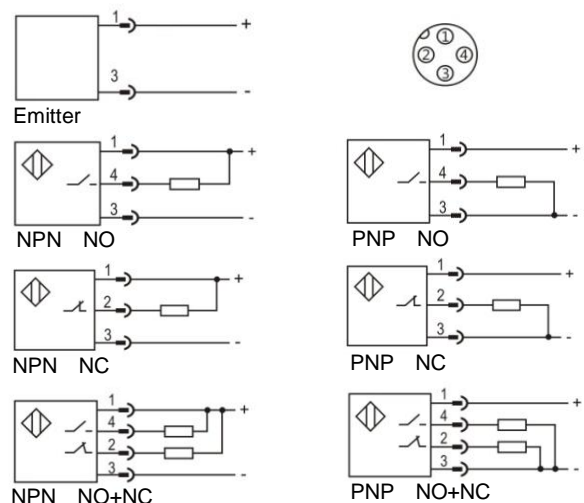
### Dimensions



Emitter

Receiver

### Wiring diagram



Plastic cylindrical shape photoelectric sensors **PR12S** series


## Features

- ◆ Through beam reflection working principle;
- ◆ Excellent anti-interference performance
- ◆ High detection accuracy



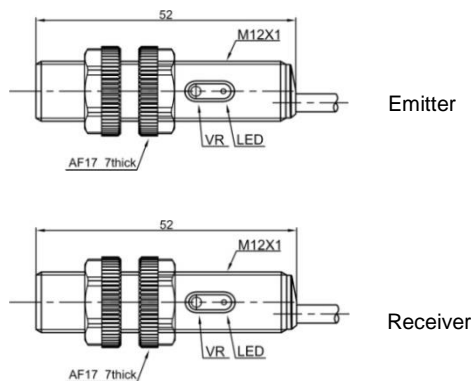
## Part number

		Emitter	Receiver			Emitter	Receiver
NPN	NO	PR12S-TM5D	PR12S-TM5DNO	PNP	NO	PR12S-TM5D	PR12S-TM5DPO
NPN	NC	PR12S-TM5D	PR12S-TM5DNC	PNP	NC	PR12S-TM5D	PR12S-TM5DPC
NPN	NO+NC	PR12S-TM5D	PR12S-TM5DNR	PNP	NO+NC	PR12S-TM5D	PR12S-TM5DPR

## Technical specifications

Detection type	Through beam	Consumption current	≤25mA
Rated distance [Sn]	5m (non-adjustable)	Circuit protection	Short-circuit and reverse polarity
Standard target	>φ10mm opaque object	Response time	< 8.2ms
Light source	Infrared LED (880nm)	Output indicator	Emitter: Green LED Receiver: Yellow LED
Dimensions	M12*52mm	Ambient temperature	-15°C...+55°C
Output	NO/NC (depends on receiver)	Ambient humidity	35-95%RH
Supply voltage	10...30 VDC	Voltage withstand	1000V/AC 50/60Hz 60s
Min target	.....	Insulation resistance	≥50MΩ(500VDC)
Hysteresis range [%/Sr]	.....	Vibration resistance	10...50Hz (0.5mm)
Repeat accuracy [R]	≤5%	Degree of protection	IP67
Load current	≤200mA (receiver)	Housing material	PBT
Residual voltage	≤2.5V (receiver)	Connection type	2m PVC cable

## Dimensions



## Wiring diagram

