

Plastic cylindrical shape photoelectric sensors PR12S series



Features

- ◆ Through beam reflection working principle;
- ◆ Excellent anti-interference performance
- ◆ High detection accuracy



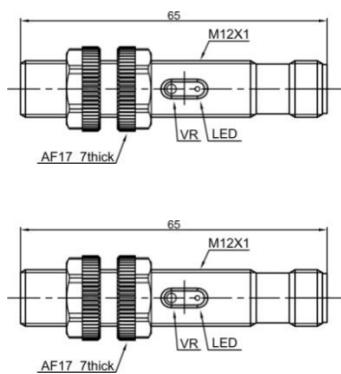
Part number

		Emitter		Receiver	
NPN	NO	PR12S-TM10D-E2	PR12S-TM10DNO-E2	PNP	NO
NPN	NC	PR12S-TM10D-E2	PR12S-TM10DNC-E2	PNP	NC
NPN	NO+NC	PR12S-TM10D-E2	PR12S-TM10DNR-E2	PNP	NO+NC

Technical specifications

Detection type	Through beam	Consumption current	≤25mA
Rated distance [Sn]	10m (non-adjustable)	Circuit protection	Short-circuit and reverse polarity
Standard target	>φ10mm opaque object	Response time	< 8.2ms
Light source	Infrared LED (880nm)	Output indicator	Emitter: Green LED Receiver: Yellow LED
Dimensions	M12*65mm	Ambient temperature	-15°C...+55°C
Output	NO/NC (depends on receiver)	Ambient humidity	35-85%RH (non-condensing)
Supply voltage	10...30 VDC	Voltage withstand	1000V/AC 50/60Hz 60s
Min target	Insulation resistance	≥50MΩ(500VDC)
Hysteresis range [%/Sr]	Vibration resistance	10...50Hz (0.5mm)
Repeat accuracy [R]	≤5%	Degree of protection	IP67
Load current	≤200mA (receiver)	Housing material	PBT
Residual voltage	≤2.5V (receiver)	Connection type	M12 Connector

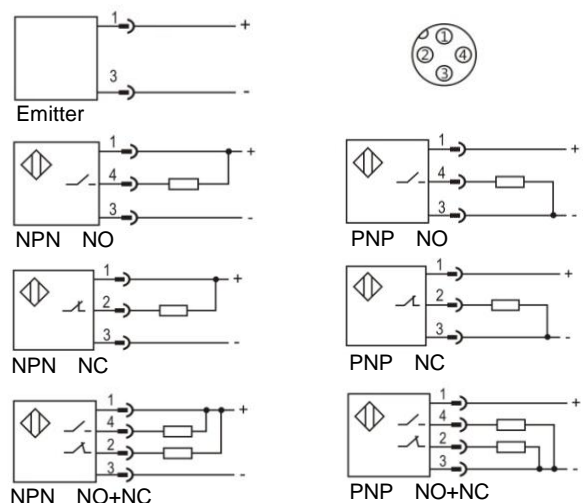
Dimensions



Emitter

Receiver

Wiring diagram



Plastic cylindrical shape photoelectric sensors **PR12S** series


Features

- ◆ Diffuse reflection working principle;
- ◆ Excellent anti-interference performance
- ◆ High detection accuracy



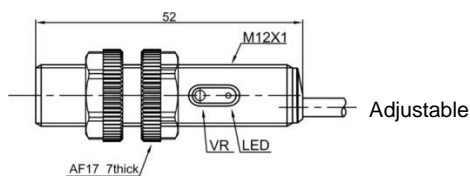
Part number

NPN NO	PR12S-BC15DNO	PNP NO	PR12S-BC15DPO
NPN NC	PR12S-BC15DNC	PNP NC	PR12S-BC15DPC

Technical specifications

Detection type	Diffuse reflection	Consumption current	≤25mA
Rated distance [Sn]	15cm (adjustable)	Circuit protection	Short-circuit, overload and reverse polarity
Standard target	White card reflection rate 90%	Response time	< 8.2ms
Light source	Infrared LED (880nm)	Output indicator	Yellow LED
Dimensions	M12*52mm	Ambient temperature	-15°C...+55°C
Output	NO/NC (depends on part No.)	Ambient humidity	35-85%RH (non-condensing)
Supply voltage	10...30 VDC	Voltage withstand	1000V/AC 50/60Hz 60s
Target	Opaque object	Insulation resistance	≥50MΩ(500VDC)
Hysteresis range [%/Sr]	3...20%	Vibration resistance	10...50Hz (0.5mm)
Repeat accuracy [R]	≤5%	Degree of protection	IP67
Load current	≤200mA	Housing material	PBT
Residual voltage	≤2.5V	Connection type	2m PVC cable

Dimensions



Wiring diagram

