

Plastic square shape photoelectric sensors PSE series



Features

- Universal housing, an ideal replacement for a wide range of sensor types;
- IP67, suitable for harsh environments;
- One-click distance setting, accurate and fast;



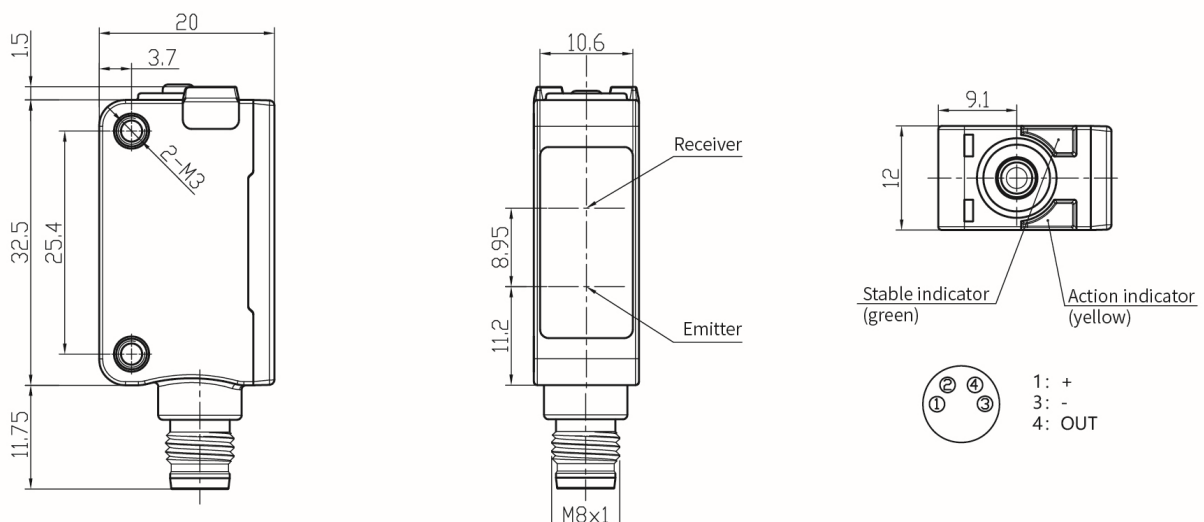
Model

NPN NO/NC	PSE-BC100DNB-E3	PNP NO/NC	PSE-BC100DPB-E3
-----------	-----------------	-----------	-----------------

Specifications

Detection type	Diffuse reflection	Indicator	Green light: power, stable signal (unstable signal flash)
Sensing distance	100cm		Yellow light: output, overload or short circuit (flash)
Output	NPN NO/NC or PNP NO/NC	Anti-ambient light	Anti-sunlight interference $\geq 10,000\text{lux}$;
Response time	$\leq 1\text{ms}$		Incandescent light interference $\geq 3,000\text{lux}$
Supply voltage	10...30 VDC	Operating temperature	$-25^{\circ}\text{C} \dots 55^{\circ}\text{C}$
Consumption current	$\leq 25\text{mA}$	Storage temperature	$-25^{\circ}\text{C} \dots 70^{\circ}\text{C}$
Load current	$\leq 200\text{mA}$	Protection degree	IP67
Hysteresis range	3...20%	Certification	CE
Voltage drop	$\leq 1\text{V}$	Production standard	EN60947-5-2:2012、IEC60947-5-2:2012
Light source	Infrared (860nm)	Material	Housing: PC+ABS; Filter: PMMA
Protection circuit	Short-circuit, overload, reverse polarity and zener protection	Weight	10g
		Connection	M8 connector
NO/NC adjustment	Press the button for 5...8s, when the yellow and green light flash synchronously at 2Hz, and lift. Finish state switch.		
Distance adjustment	Press the button for 2...5s, when the yellow and green light flash synchronously at 4Hz, and lift to finish the distance setting.		
	If the yellow and green light flash asynchronously @8Hz for 3s, setting fails and the product distance goes to the maximum.		

Dimensions



Plastic square shape photoelectric sensors PSE series



Features

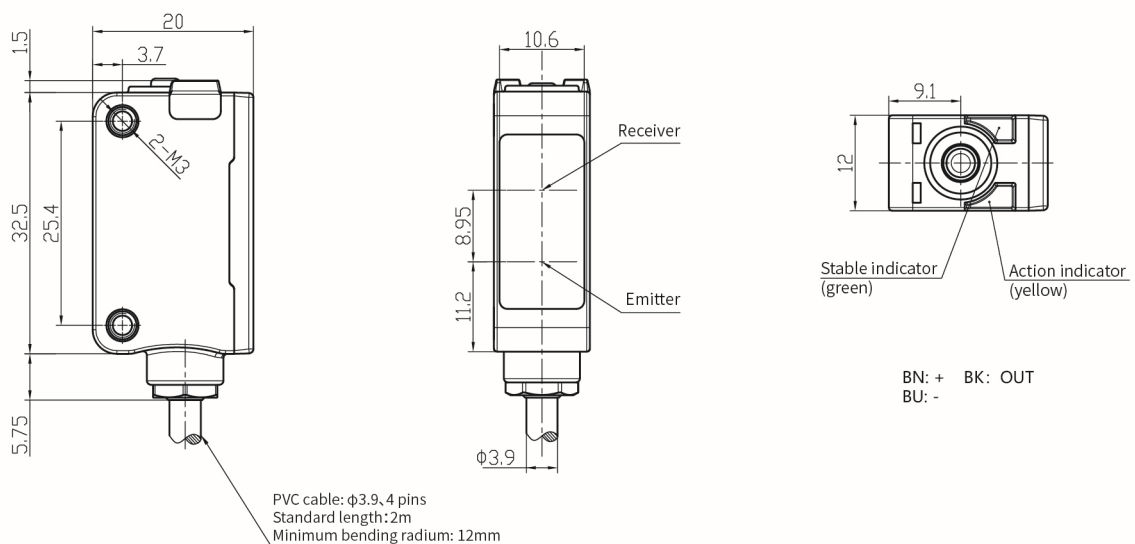
- Universal housing, an ideal replacement for a wide range of sensor types;
- IP67, suitable for harsh environments;
- One-click distance setting, accurate and fast;



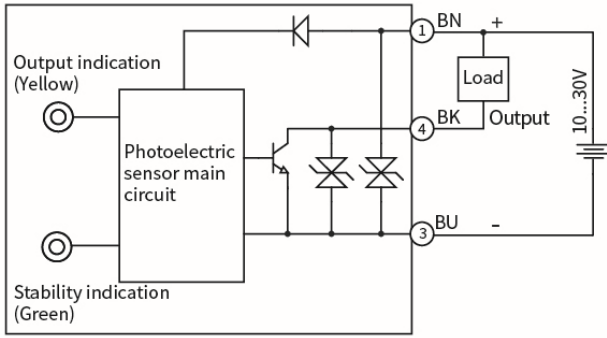
Model			
NPN NO/NC	PSE-BC100DNB	PNP NO/NC	PSE-BC100DPB

Specifications			
Detection type	Diffuse reflection	Indicator	Green light: power, stable signal (unstable signal flash)
Rated distance	100cm		Yellow light: output, overload or short circuit (flash)
Output	NPN NO/NC or PNP NO/NC	Anti-ambient light	Anti-sunlight interference $\geq 10,000\text{lux}$;
Response time	$\leq 1\text{ms}$		Incandescent light interference $\geq 3,000\text{lux}$
Supply voltage	10...30 VDC	Operating temperature	$-25^{\circ}\text{C} \dots 55^{\circ}\text{C}$
Consumption current	$\leq 25\text{mA}$	Storage temperature	$-25^{\circ}\text{C} \dots 70^{\circ}\text{C}$
Load current	$\leq 200\text{mA}$	Protection degree	IP67
Hysteresis range	3...20%	Certification	CE
Voltage drop	$\leq 1\text{V}$	Production standard	EN60947-5-2:2012、IEC60947-5-2:2012
Light source	Infrared (860nm)	Material	Housing: PC+ABS; Filter: PMMA
Circuit protection	Short-circuit, overload, reverse polarity and	Weight	50g
	zener protection	Connection	2m PVC cable
NO/NC adjustment	Press the button for 5...8s, when the yellow and green light flash synchronously at 2Hz, and lift. Finish state switch.		
Distance adjustment	Press the button for 2...5s, when the yellow and green light flash synchronously at 4Hz, and lift to finish the distance setting.		
	If the yellow and green light flash asynchronously @8Hz for 3s, setting fails and the product distance goes to the maximum.		

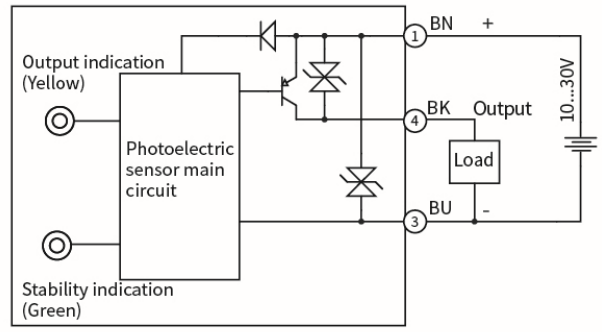
Dimensions



Circuit Diagrams



NPN



PNP