

Plastic square shape photoelectric sensors PSE series



Features

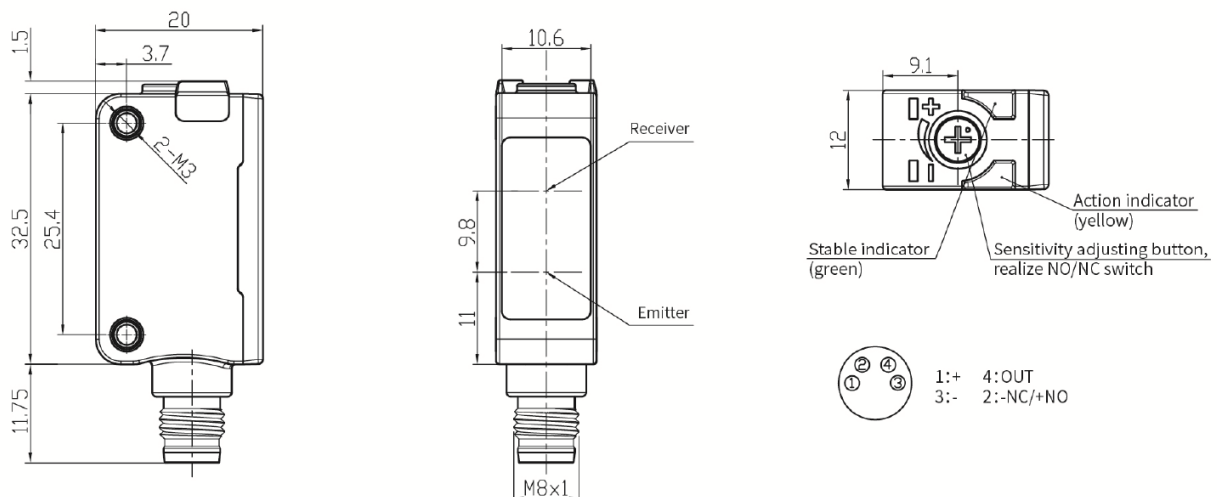
- Universal housing, an ideal replacement for a wide range of sensor types;
- IP67, suitable for harsh environments;
- Background suppression type, stable detection of both white and black targets;
- Visible light spots for easy installation and commissioning.



Model			
NPN NO/NC	PSE-YC25DNBR-E3	PNP NO/NC	PSE-YC25DPBR-E3

Specifications			
Detection type	Background reflection	Indicator	Green light: power
Rated distance	25cm		Yellow light: output, overload or short circuit (flash)
Output	NPN NO/NC or PNP NO/NC	Anti-ambient light	Anti-sunlight interference $\leq 10,000\text{lux}$; Incandescent light interference $\leq 3,000\text{lux}$
Distance adjustment	5-turn knob adjustable	Operating temperature	$-25^{\circ}\text{C} \dots 55^{\circ}\text{C}$
Response time	3.5ms	Storage temperature	$-25^{\circ}\text{C} \dots 70^{\circ}\text{C}$
Spot size	7mm@35cm	Protection degree	IP67
Hysteresis range	$< 5\%$	Certification	CE
Supply voltage	10...30 VDC	Production standard	EN60947-5-2:2012、IEC60947-5-2:2012
Consumption current	$\leq 20\text{mA}$	Material	Housing: PC+ABS; Filter: PMMA
Load current	$\leq 100\text{mA}$	Weight	10g
Voltage drop	$\leq 1\text{V}$	Connection	M8 connector
Light source	Red light (640nm)		
Circuit protection	Short-circuit, overload, reverse polarity and zener protection		
NO/NC adjustment	The status of white wire connected to the negative is NC, while connected to the positive hanging is NO.		

Dimensions



Plastic square shape photoelectric sensors PSE series



Features

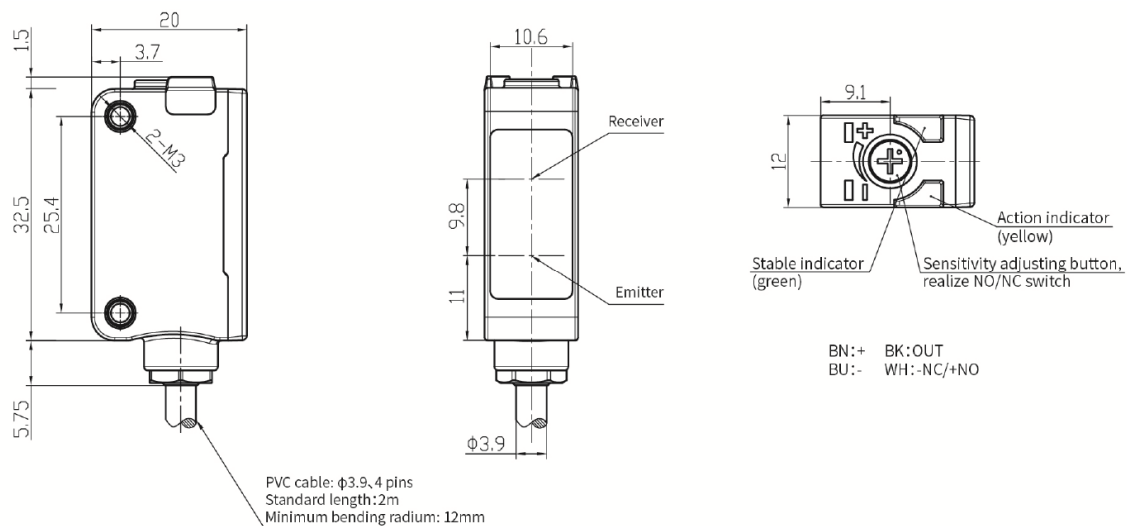
- Universal housing, an ideal replacement for a wide range of sensor types;
- IP67, suitable for harsh environments;
- Background suppression type, stable detection of both white and black targets;
- Visible light spots for easy installation and commissioning.



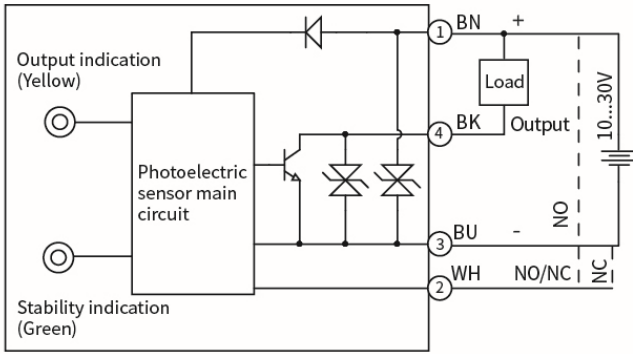
Model			
NPN NO/NC	PSE-YC25DNBR	PNP NO/NC	PSE-YC25DPBR

Specifications			
Detection type	Background reflection	Indicator	Green light: power
Rated distance	25cm		Yellow light: output, overload or short circuit (flash)
Output	NPN NO/NC or PNP NO/NC	Anti-ambient light	Anti-sunlight interference $\leq 10,000\text{lux}$;
Distance adjustment	5-turn knob adjustable		Incandescent light interference $\leq 3,000\text{lux}$
Response time	3.5ms	Operating temperature	-25°C...55 °C
Spot size	7mm@25cm	Storage temperature	-25°C...70 °C
Hysteresis range	< 5%	Protection degree	IP67
Supply voltage	10...30 VDC	Certification	CE
Consumption current	$\leq 20\text{mA}$	Production standard	EN60947-5-2:2012、IEC60947-5-2:2012
Load current	$\leq 100\text{mA}$	Material	Housing: PC+ABS; Filter: PMMA
Voltage drop	$\leq 1\text{V}$	Weight	50g
Light source	Red light (640nm)	Connection	2m PVC cable
Circuit protection	Short-circuit, overload, reverse polarity and zener protection		
NO/NC adjustment	The status of white wire connected to the negative is NC, while connected to the positive hanging is NO.		

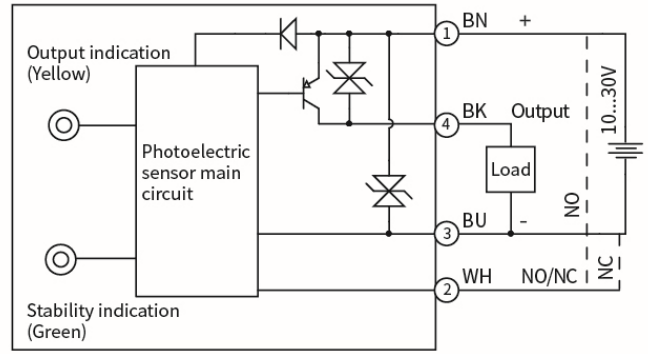
Dimensions



Circuit Diagrams



NPN



PNP