

Plastic square shape photoelectric sensors PSE series


Feature description

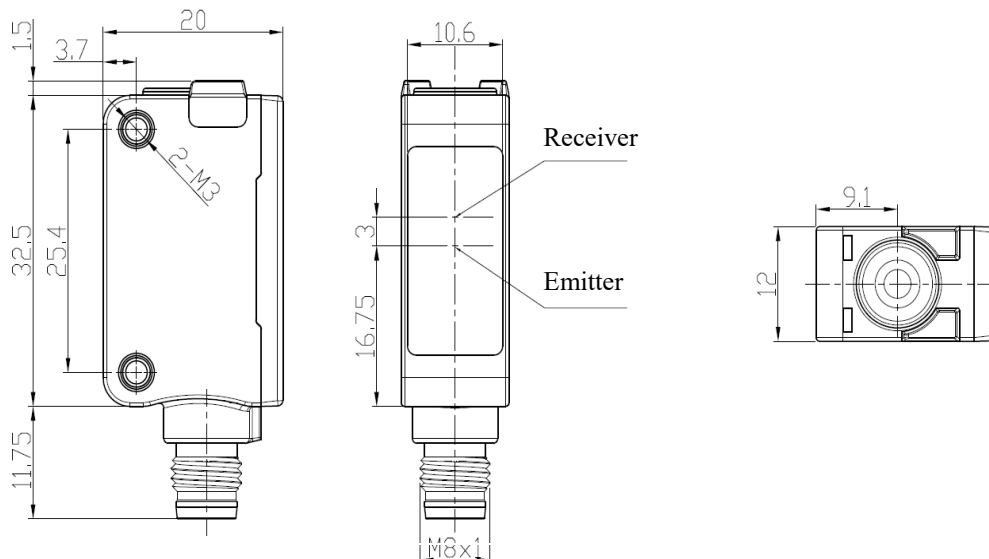
- Universal housing, an ideal replacement for a wide range of sensor types;
- IP67, suitable for harsh environments;
- One-key distance setting, accurate and fast setting
- Using TOF principle, the difference between black and white of the product is small, and the detection is stable


Model specification

NPN NO/NC	PSE-CC60DNB-E3	PNP NO/NC	PSE-CC60DPB-E3
-----------	----------------	-----------	----------------

Specifications

Detection range	0.5...60cm	Response time	≤100ms
Adjustment range	8...60cm	Indicator	Green light: power; Yellow light: output
Output type	NPN NO/NC or PNP NO/NC	Anti-ambient light	Fluorescent lamp ≤1000Lx
Hysteresis	3...20%	Operating temperature	-20°C...55 °C
Supply voltage	10...30 VDC	Storage temperature	-25°C...70 °C
Consumption current	≤20mA	Protection degree	IP67
Load current	≤100mA	Certification	CE
Voltage drop	≤1.5V	Material	Housing: PC+ABS; Filter: PMMA
Adjustment method	Button adjustment	Weight	50g
Light source	Infrared laser(940nm)	Connection	M8 4-pin connector
Light spot size	Φ130mm@60cm	Accessory	Mounting bracket ZJP-8
Circuit protection	Short circuit protection, overload protection, reverse polarity protection, Zener protection		
NO/NC adjustment	Press the button for 5...8s, when the yellow and green light flash synchronously at 2Hz, and lift. Finish state switch.		
Distance adjustment	Press the button for 2...5s, when the yellow and green light flash synchronously at 4Hz, and lift to finish the distance setting. If the yellow and green lights flash asynchronously at 8Hz for 3s, and the setting fails.		

Dimensions


Plastic square shape photoelectric sensors PSE series



Feature description

- Universal housing, an ideal replacement for a wide range of sensor types;
- IP67, suitable for harsh environments;
- One-key distance setting, accurate and fast setting
- Using TOF principle, the difference between black and white of the product is small, and the detection is stable



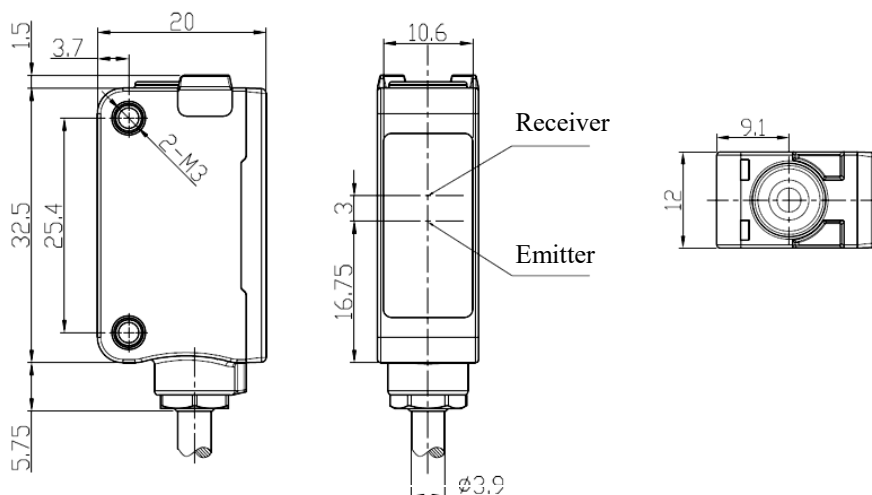
Model specification

NPN NO/NC	PSE-CC60DNB	PNP NO/NC	PSE-CC60DPB
-----------	-------------	-----------	-------------

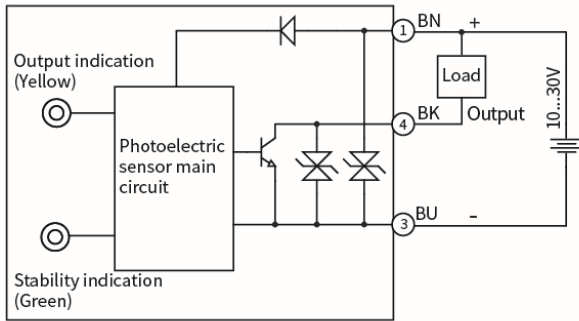
Specifications

Detection range	0.5...60cm	Response time	≤100ms
Adjustment range	8...60cm	Indicator	Green light: power; Yellow light: output
Output type	NPN NO/NC or PNP NO/NC	Anti-ambient light	Fluorescent lamp ≤1000Lx
Hysteresis	3...20%	Operating temperature	-20°C...55 °C
Supply voltage	10...30 VDC	Storage temperature	-25°C...70 °C
Consumption current	≤20mA	Protection degree	IP67
Load current	≤100mA	Certification	CE
Voltage drop	≤1.5V	Material	Housing: PC+ABS; Filter: PMMA
Adjustment method	Button adjustment	Weight	50g
Light source	Infrared laser(940nm)	Connection	2m PVC cable
Light spot size	Φ130mm@60cm	Accessory	Mounting bracket ZJP-8
Circuit protection	Short circuit protection, overload protection, reverse polarity protection, Zener protection		
NO/NC adjustment	Press the button for 5...8s, when the yellow and green light flash synchronously at 2Hz, and lift. Finish state switch.		
Distance adjustment	Press the button for 2...5s, when the yellow and green light flash synchronously at 4Hz, and lift to finish the distance setting. If the yellow and green lights flash asynchronously at 8Hz for 3s, and the setting fails.		

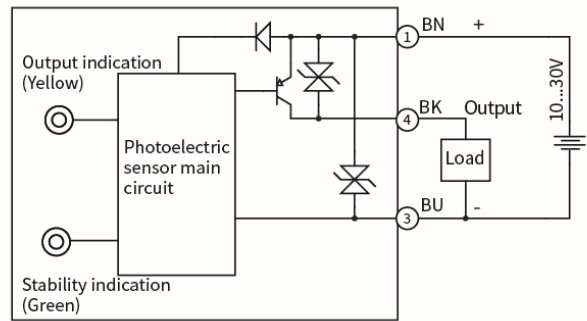
Dimensions



Wiring diagram



NPN



PNP