

## Plastic square shape photoelectric sensors PSE series



### Feature description

- Universal housing, an ideal replacement for a wide range of sensor types
- IP67, suitable for harsh environments
- One-key distance setting, accurate and fast setting
- Using TOF principle, the difference between black and white of the product is small, and the detection is stable



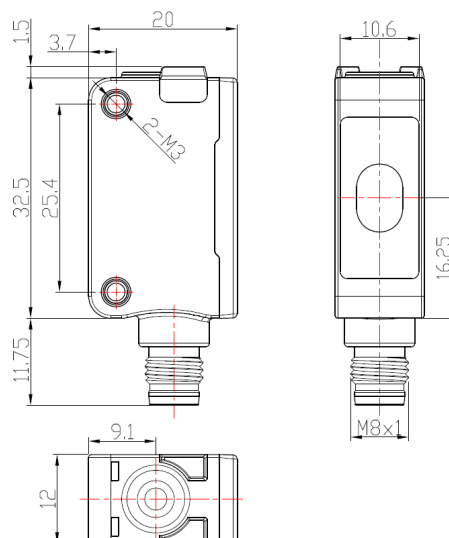
### Model specification

NPN NO/NC	PSE-CM3DNB-E3	PNP NO/NC	PSE-CM3DPB-E3
-----------	---------------	-----------	---------------

### Specifications

Detection range	0.5...300cm	Response frequency	5Hz
Adjustment range	8...360cm	Indicator	Green light: power; Yellow light: output
Output type	NPN NO/NC or PNP NO/NC	Anti-ambient light	Sunshine $\leq$ 10000Lx, Incandescent $\leq$ 1000Lx
Hysteresis	3...20%	Operating temperature	-20°C...55 °C
Supply voltage	10...30VDC	Storage temperature	-25°C...70 °C
Consumption current	$\leq$ 20mA	Protection degree	IP67
Load current	$\leq$ 100mA	Certification	CE
Voltage drop	$\leq$ 1.5V	Material	Housing: PC+ABS; Filter: PMMA
Adjustment method	Button adjustment	Weight	50g
Light source	Infrared laser(940nm)	Connection	M8 4-pin connector
Light spot size	90×120mm@300cm	Accessory	Mounting bracket ZJP-8
Circuit protection	Short circuit protection, overload protection, reverse polarity protection, Zener protection		
NO/NC adjustment	Press the button for 5...8s, when the yellow and green light flash synchronously at 2Hz, and lift. Finish state switch.		
Distance adjustment	Press the button for 2...5s, when the yellow and green light flash synchronously at 4Hz, and lift to finish the distance setting.		
	If the yellow and green lights flash asynchronously at 8Hz for 3s, and the setting fails.		

### Dimensions



## Plastic square shape photoelectric sensors PSE series



### Feature description

- Universal housing, an ideal replacement for a wide range of sensor types
- IP67, suitable for harsh environments
- One-key distance setting, accurate and fast setting
- Using TOF principle, the difference between black and white of the product is small, and the detection is stable



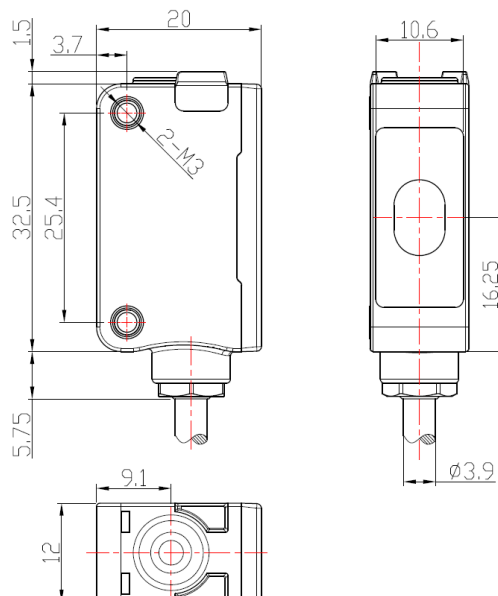
### Model specification

NPN NO/NC	PSE-CM3DNB	PNP NO/NC	PSE-CM3DPB
-----------	------------	-----------	------------

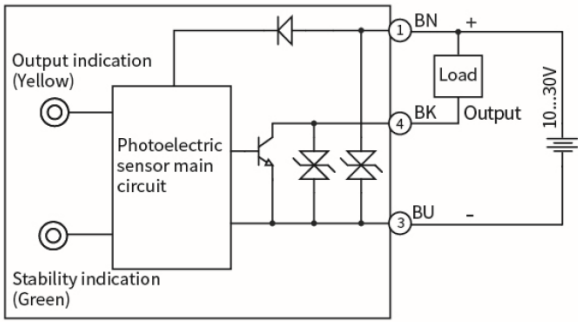
### Specifications

Detection range	0.5...300cm	Response frequency	5Hz
Adjustment range	8...360cm	Indicator	Green light: power; Yellow light: output
Output type	NPN NO/NC or PNP NO/NC	Anti-ambient light	Sunshine $\leq 10000\text{Lx}$ , Incandescent $\leq 1000\text{Lx}$
Hysteresis	3...20%	Operating temperature	-20°C...55 °C
Supply voltage	10...30VDC	Storage temperature	-25°C...70 °C
Consumption current	$\leq 20\text{mA}$	Protection degree	IP67
Load current	$\leq 100\text{mA}$	Certification	CE
Voltage drop	$\leq 1.5\text{V}$	Material	Housing: PC+ABS; Filter: PMMA
Adjustment method	Button adjustment	Weight	50g
Light source	Infrared laser(940nm)	Connection	2m PVC cable
Light spot size	90×120mm@300cm	Accessory	Mounting bracket ZJP-8
Circuit protection	Short circuit protection, overload protection, reverse polarity protection, Zener protection		
NO/NC adjustment	Press the button for 5...8s, when the yellow and green light flash synchronously at 2Hz, and lift. Finish state switch.		
Distance adjustment	Press the button for 2...5s, when the yellow and green light flash synchronously at 4Hz, and lift to finish the distance setting.		
	If the yellow and green lights flash asynchronously at 8Hz for 3s, and the setting fails.		

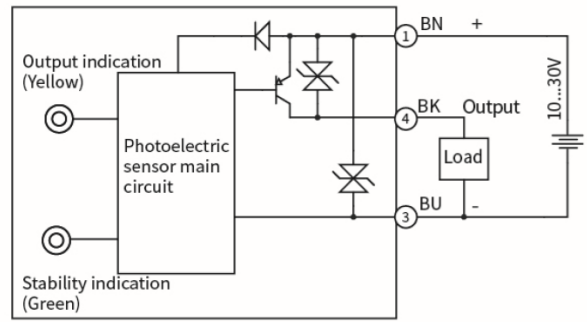
### Dimensions



**Wiring diagram**



NPN



PNP