

Plastic square shape photoelectric sensors **PSR** series

Features

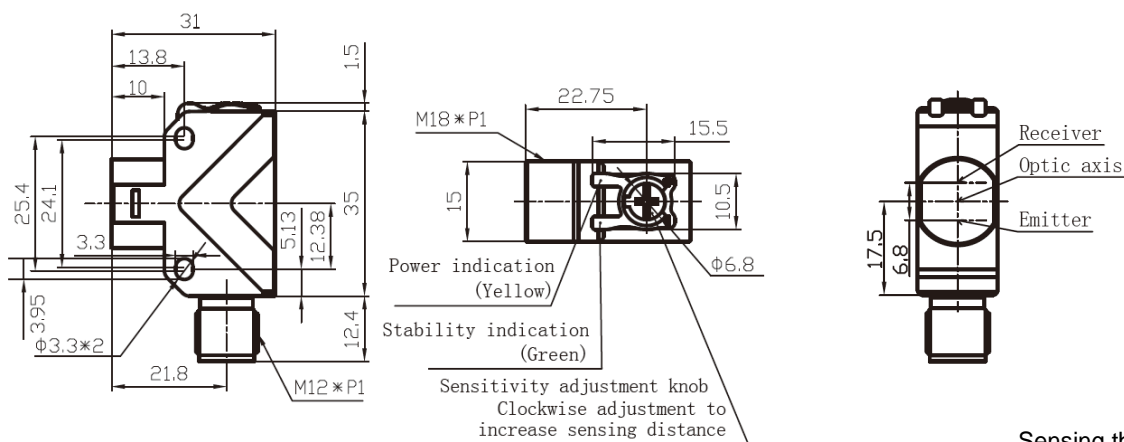
- ◆ 18mm threaded cylindrical installation or side installation, it is an ideal substitute for various styles of sensors;
- ◆ Unique optical design can realize stable detection of bright objects;
- ◆ With 360° visible bright LED status indicator;
- ◆ Visible light spot, easy to install and debug.


Part number

NPN	PSR-PM3DNBR-E2	PNP	PSR-PM3DPBR-E2
-----	----------------	-----	----------------

Technical specifications

Detection type	Polarized reflection	Anti-ambient light	Anti-ambient light interference < 10,000lx;
Rated distance [Sn]	0...3m		Incandescent light interference < 3,000lx
Light source	Red LED (660nm)	Indicator display	Green light: power indication, stable indication (blinking means unstable signal)
Light spot	180°180mm@3m		Yellow light: output indication, short circuit or overload indication (flashing)
Output	NO/NC	Ambient humidity	35...95%RH (non-condensing)
Supply voltage	10...30VDC	Voltage withstand	1000V/AC 50/60Hz 60s
Load current	≤100mA	Insulation resistance	≥50MΩ (500VDC)
Residual voltage	≤1V	Vibration resistance	10...50Hz (0.5mm)
Distance adjustment	Single-turn potentiometer	Degree of protection	IP67
Consumption current	≤20mA	Housing material	ABS
Circuit protection	Short-circuit, overload, reverse polarity and zener protection	Installation method	Composite installation
Response time	≤1ms	Optical components	Plastic PMMA
Ambient temperature	-15°C...60°C	Weight	10g
NO/NC adjustment	NO: 2 feet is connected to the positive electrode; NC: 2 feet is connected to the negative electrode;	Connection type	M12 connector

Dimensions


Sensing the dream

Wiring diagram

Plastic square shape photoelectric sensors **PSR** series

Features

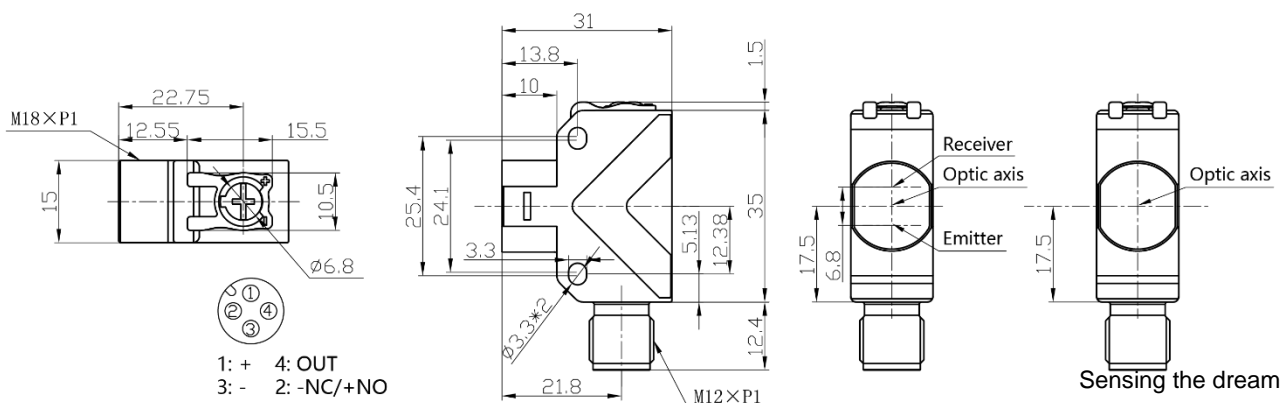
- ◆ 18mm threaded cylindrical installation or side installation, it is an ideal substitute for various styles of sensors;
- ◆ Unique optical design can realize stable detection of bright objects;
- ◆ With 360° visible bright LED status indicator;
- ◆ Visible light spot, easy to install and debug.

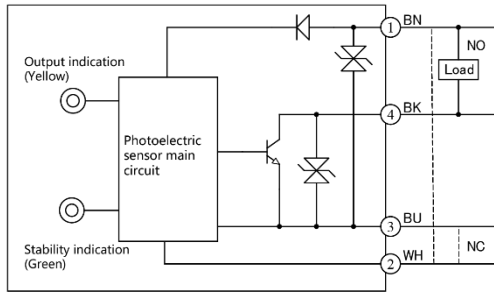

Part number

NPN	PSR-PM3DNBR	PNP	PSR-PM3DPBR
-----	-------------	-----	-------------

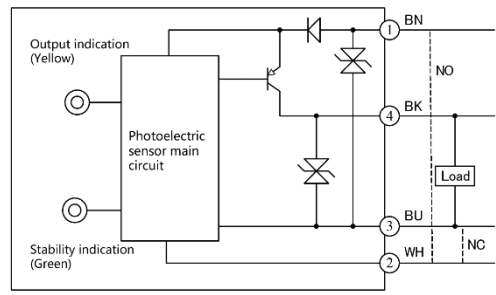
Technical specifications

Detection type	Polarized reflection	Anti-ambient light	Anti-ambient light interference < 10,000lx;
Rated distance [Sn]	0...3m		Incandescent light interference < 3,000lx
Light source	Red LED (660nm)	Indicator display	Green light: Power supply, signal stability indication;
Light spot	180°180mm@3m		2Hz blinking signal is unstable;;
Output	NO/NC		Yellow light: Output indication;
Supply voltage	10...30VDC		4Hz flash short circuit or overload indication;
Load current	≤100mA	Ambient humidity	35...95%RH (non-condensing)
Residual voltage	≤1V	Voltage withstand	1000V/AC 50/60Hz 60s
Distance adjustment	Single-turn potentiometer	Insulation resistance	≥50MΩ (500VDC)
Consumption current	≤20mA	Vibration resistance	10...50Hz (0.5mm)
Circuit protection	Short-circuit, overload, reverse polarity and zener protection	Degree of protection	IP67
Response time	≤1ms	Housing material	ABS
Ambient temperature	-15°C...60°C	Installation method	Composite installation
NO/NC adjustment	NO: white line is connected to the positive electrode;	Optical components	Plastic PMMA
	NC: white line is connected to the negative electrode;	Weight	52g
		Connection type	2m PVC cable

Dimensions




NPN



PNP