

Plastic square shape photoelectric sensors **PSR** series

**Features**

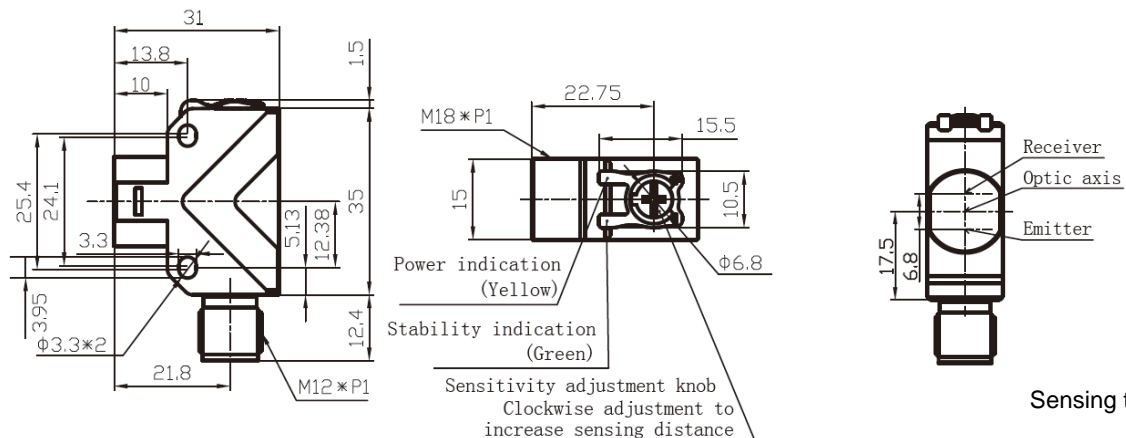
- ◆ 18mm threaded cylindrical installation or side installation, it is an ideal substitute for various styles of sensors;
- ◆ Compliant with IP67, suitable for harsh environments;
- ◆ With 360° visible bright LED status indicator;
- ◆ Visible light spot, easy to install and debug.


**Part number**

NPN	PSR-BC30DNBR-E2	PNP	PSR-BC30DPBR-E2
-----	-----------------	-----	-----------------

**Technical specifications**

Detection type	Diffuse reflection	Anti-ambient light	Anti-ambient light interference < 10,000lx; Incandescent light interference < 3,000lx
Rated distance [Sn]	5...300mm	Indicator display	Green light: power indication, stable indication (blinking means unstable signal) Yellow light: output indication, short circuit or overload indication (flashing)
Light source	Red LED (660nm)	Ambient temperature	-15°C...60°C
Light spot	18*18mm@30cm	Ambient humidity	35...95%RH (non-condensing)
Output	NO/NC	Voltage withstand	1000V/AC 50/60Hz 60s
Hysteresis range [%/Sr]	3...20%	Insulation resistance	≥50MΩ(500VDC)
Supply voltage	10...30VDC	Vibration resistance	10...50Hz (0.5mm)
Load current	≤100mA	Degree of protection	IP67
Residual voltage	≤1V	Housing material	ABS
Distance adjustment	Single-turn potentiometer	Installation method	Composite installation
Consumption current	≤20mA	Optical components	Plastic PMMA
Circuit protection	Short-circuit, overload, reverse polarity and zener protection	Weight	10g
Response time	≤1ms	Connection type	M12 connector
NO/NC adjustment	NO: 2 feet is connected to the positive electrode; NC: 2 feet is connected to the negative electrode;		

**Dimensions**


Sensing the dream

Plastic square shape photoelectric sensors **PSR** series

**Features**

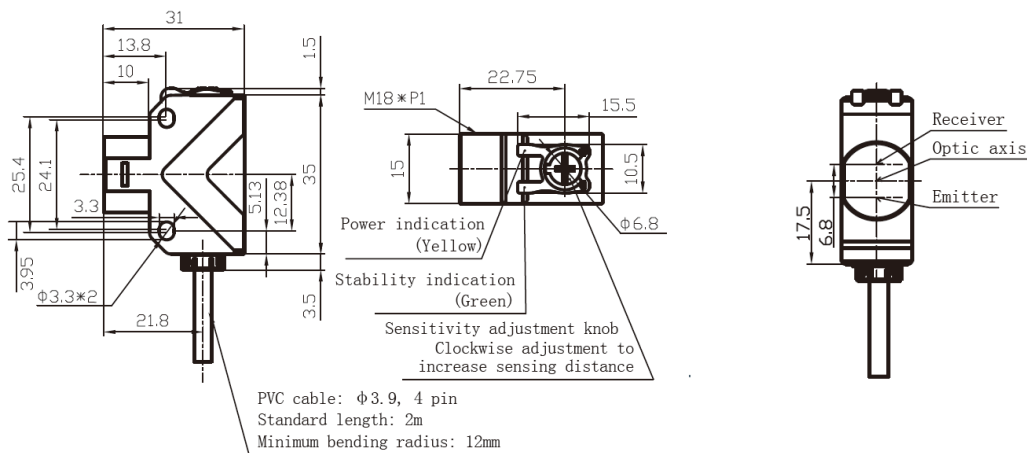
- ◆ 18mm threaded cylindrical installation or side installation, it is an ideal substitute for various styles of sensors;
- ◆ Compliant with IP67, suitable for harsh environments;
- ◆ With 360° visible bright LED status indicator;
- ◆ Visible light spot, easy to install and debug.


**Part number**

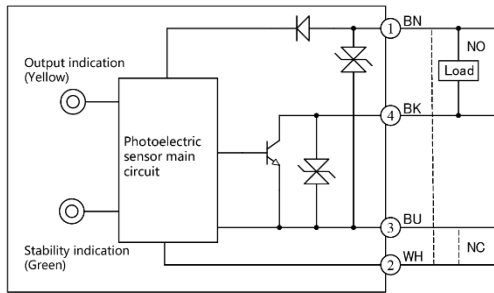
NPN	PSR-BC30DNBR	PNP	PSR-BC30DPBR
-----	--------------	-----	--------------

**Technical specifications**

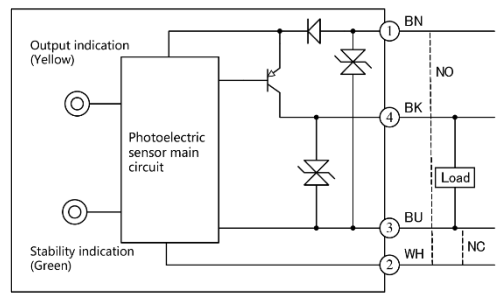
Detection type	Diffuse reflection	Anti-ambient light	Anti-ambient light interference < 10,000lx; Incandescent light interference < 3,000lx
Rated distance [Sn]	5...300mm	Indicator display	Green light: power indication, stable indication (blinking means unstable signal)
Light source	Red LED (660nm)	Output	Yellow light: output indication, short circuit or overload indication (flashing)
Light spot	18*18mm@30cm	Hysteresis range [%/Sr]	3...20%
Output	NO/NC	Supply voltage	10...30VDC
Supply voltage	10...30VDC	Ambient temperature	-15°C...60°C
Load current	≤100mA	Ambient humidity	35-95%RH (non-condensing)
Residual voltage	≤1V	Voltage withstand	1000V/AC 50/60Hz 60s
Distance adjustment	Single-turn potentiometer	Insulation resistance	≥50MΩ(500VDC)
Consumption current	≤20mA	Vibration resistance	10...50Hz (0.5mm)
Circuit protection	Short-circuit, overload, reverse polarity and zener protection	Degree of protection	IP67
Response time	≤1ms	Housing material	ABS
NO/NC adjustment	NO: white line is connected to the positive electrode; NC: white line is connected to the negative electrode;	Installation method	Composite installation
		Optical components	Plastic PMMA
		Weight	52g
		Connection type	2m PVC cable

**Dimensions**


Wiring diagram



NPN



PNP