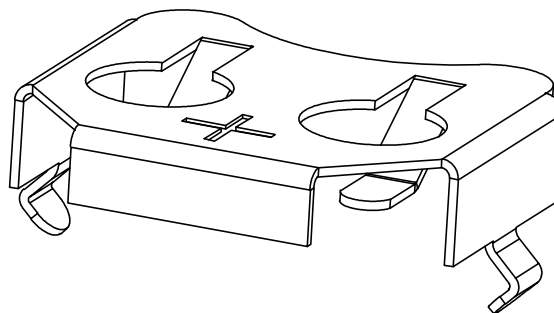
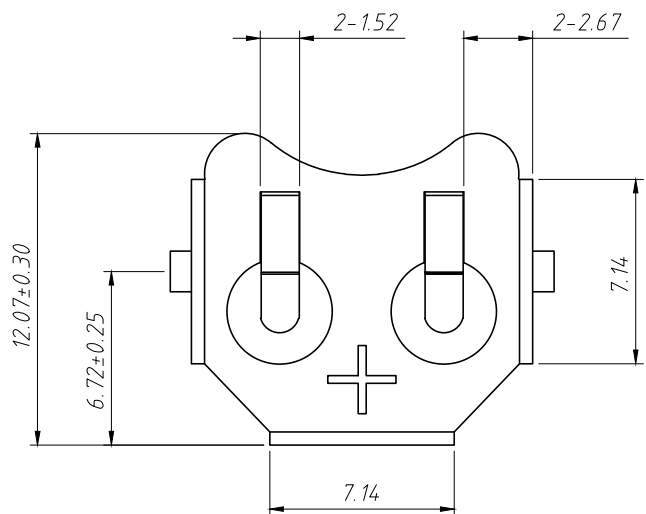


RoHS Compliance



Notes:

1:Material:

Phosphor Bronze T=0.25mm, Nickel Plated.

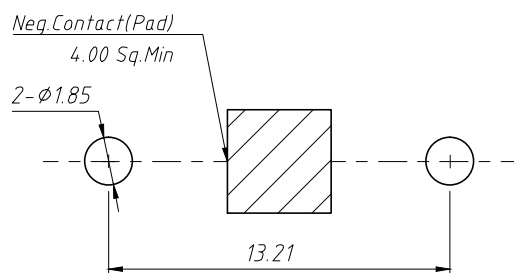
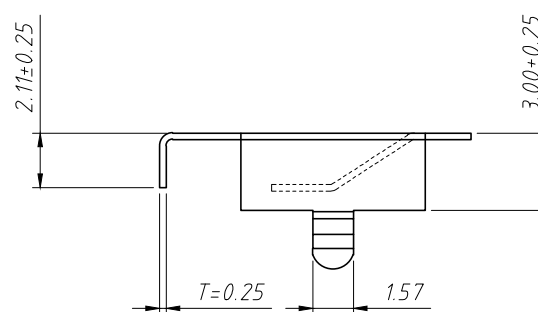
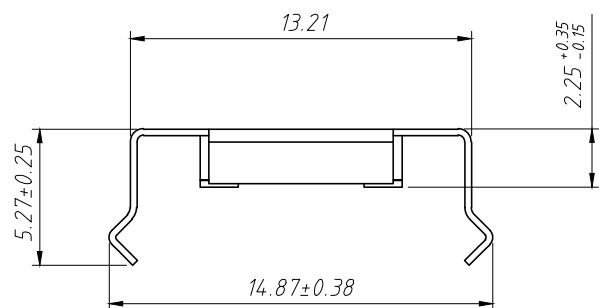
2:Electric:

Dielectric Voltage: 500V AC One Sec Level.

Contact Resistance: 30 mΩ Max.

Insulator Resistance: 100 MΩ Min.

Operating Temperature: -40°C ~ +85°C.



Recommended PCB Layout  
Tolerance: ±0.05mm

ANGLE TOLERANCE		PROJECTION		Description:	
±3°				CR1220 Coin Cell Retainers	
GENERAL TOLERANCE		UNITS	mm	KLS P/N:	L-KLS5-CR1220-012
x.x	±0.30	SHEET SIZE	A4	Draw:	Daniel 2023-02-14
x.xx	±0.20	Check:	Daniel 2023-02-14	NingBo KLS ELECTRONIC CO.,LTD.	
x.xxx	±0.10				