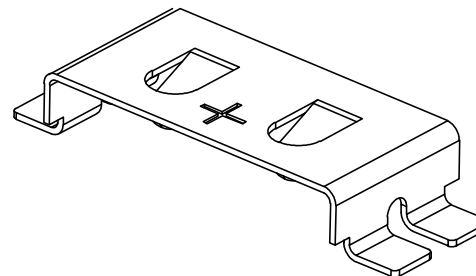
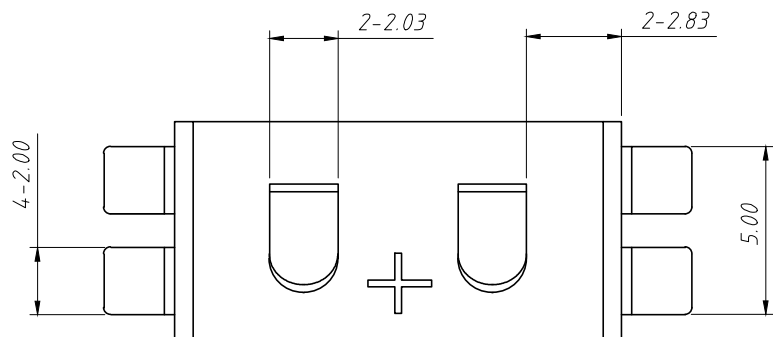


RoHS Compliance



Notes:

1:Material:

Phosphor Bronze $T=0.25\text{mm}$, Nickel Plated.

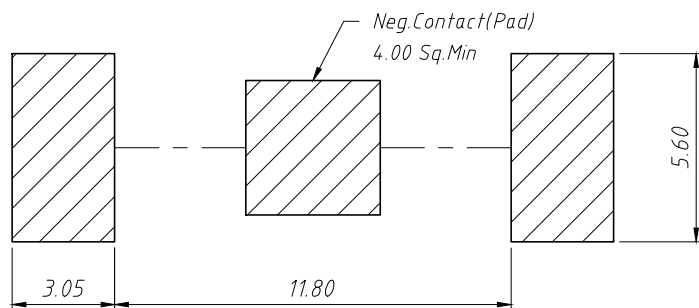
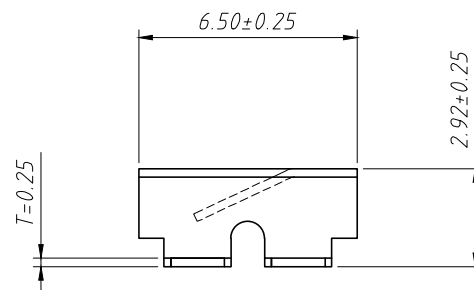
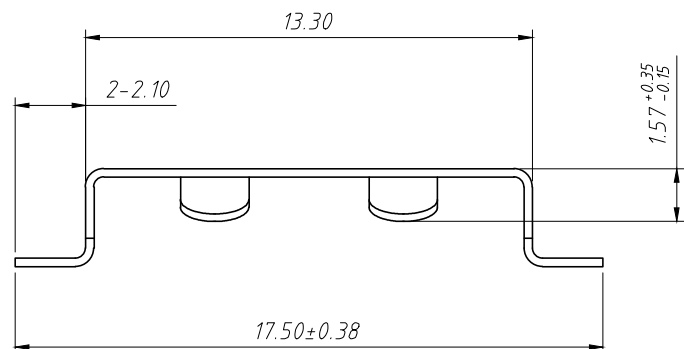
2:Electric:

Dielectric Voltage: 500V AC One Sec Level.

Contact Resistance: 30 mΩ Max.

Insulator Resistance: 100 MΩ Min.

Operating Temperature: $-40^{\circ}\text{C} \sim +85^{\circ}\text{C}$.



Recommended PCB Layout
Tolerance: $\pm 0.05\text{mm}$

ANGLE TOLERANCE	PROJECTION	Description:
$\pm 3^{\circ}$		CR1220 Coin Cell Retainers
GENERAL TOLERANCE	UNITS	mm
x.x ± 0.30	SHEET SIZE	A4
x.xx ± 0.20	Draw:	Daniel 2023-02-13
x.xxx ± 0.10	Check:	Daniel 2023-02-13

L-KLS5-CR1220-07



NingBo KLS ELECTRONIC CO.,LTD.