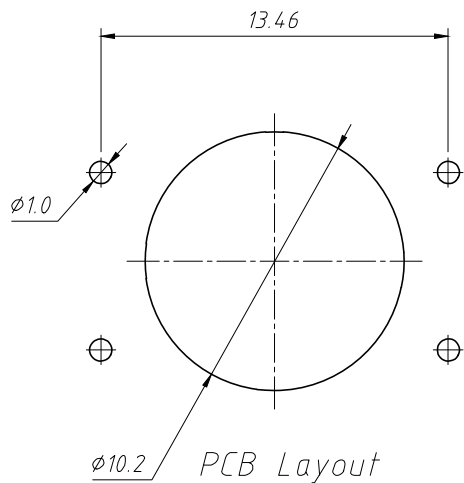
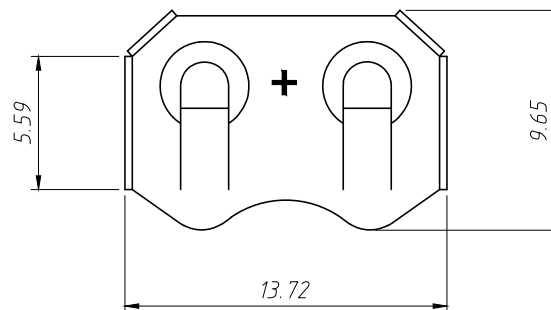


RoHS Compliance

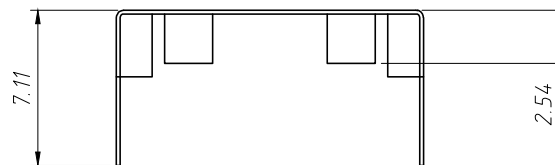
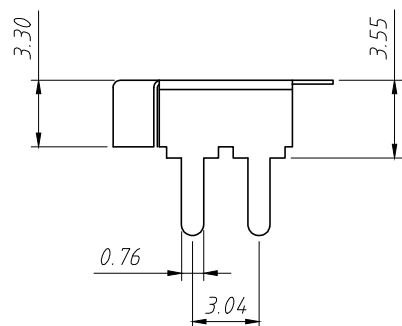


Neg. Contact Pad, Nickel Or Gold Plater



Material: 0.25mm Phosphor Bronze, Nickel  
Plated Over all  
RoHS 2 Compliant

Temperature Range: -40°C To +270°C  
Vibration Test: 10-50-10 Hz Swept In 60 Seconds X Y Z  
Direction: 1 Hour Each Direction  
Result: No Dislodgement Of The Cell Or  
Damage, No Discontinuity Over 10  
Micro- seconds  
Shock Test: Half Sine Wave Acceleration  
150G 6 Milliseconds  
3 Shock Pulses Each Direction  
Per Axis. Total of 18 Pulses  
result: No Evidence Of Physical damage



ANGLE TOLERANCE	PROJECTION		Description:
±3°			CR1220 Coin Cell Retainers
GENERAL TOLERANCE	UNITS	mm	KLS P/N:
x.x ±0.30	SHEET SIZE	A4	L-KLS5-CR1220-06
x.xx ±0.20	Draw:	Daniel	2023-02-14
x.xxx ±0.10	Check:	Daniel	2023-02-14



NingBo KLS ELECTRONIC CO.,LTD.