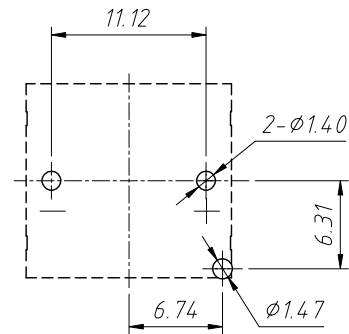
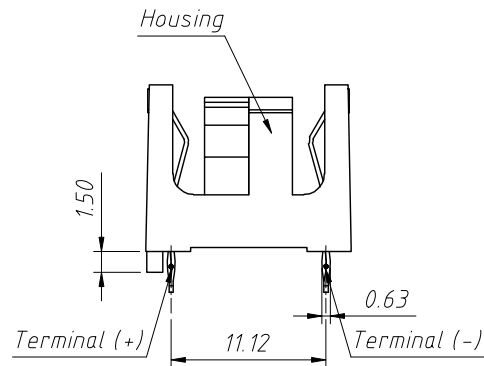
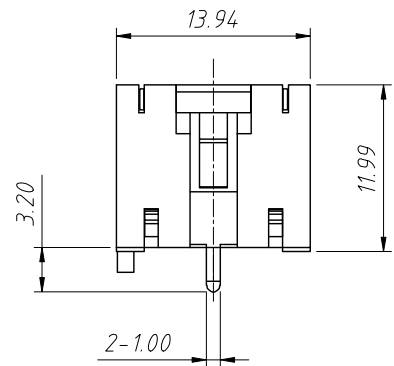
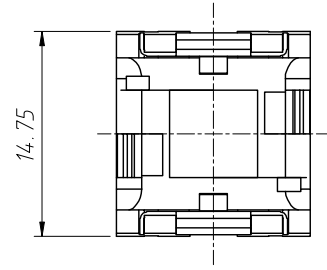
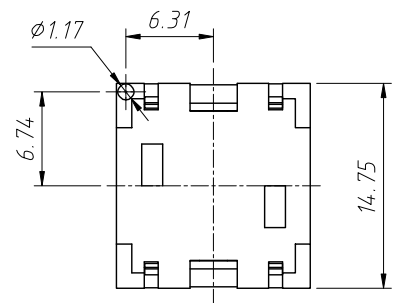


1
RoHS Compliance



PCB Layout Diagram
Top View

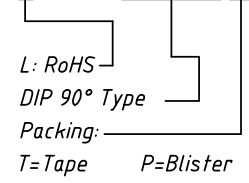


Material:
Housing:PPA,Black
Terminal:Phosphor bronze,T=0.30mm
Finish :Gold Plating and Ni Under-plating

Electrical Characteristics:
Contact Resistance:30mΩ Max
Insulator Resistance:100MΩ Min
Dielectric Voltage:500V AC One Sec Level
Operating Temperature:-25°C ~ + 85°C

Order Information:

L-KLS5-AG13-02-P



ANGLE TOLERANCE	PROJECTION	Description:	1/3N DIP COIN CELL RETAINERS, H12.0mm,Au plated
±3°			
GENERAL TOLERANCE	UNITS	mm	KLS P/N: L-KLS5-AG13-02-P
x.x ±0.30	SHEET SIZE	A4	NingBo KLS ELECTRONIC CO.,L TD.
x.xx ±0.20	Draw:	Daniel 2022-03-01	
x.xxx ±0.10	Check:	Daniel 2022-03-01	