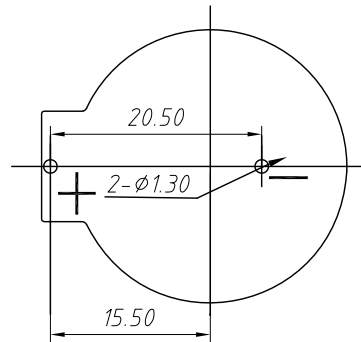
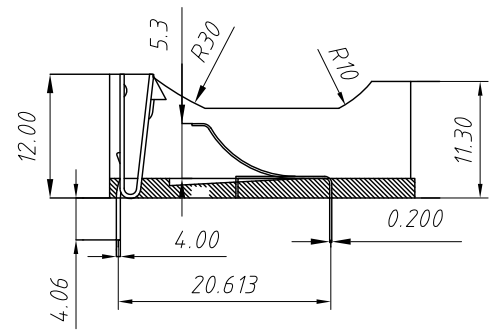
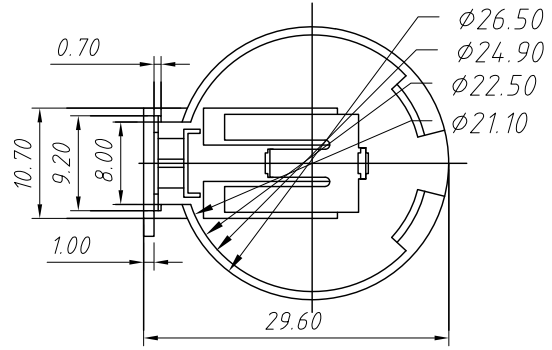
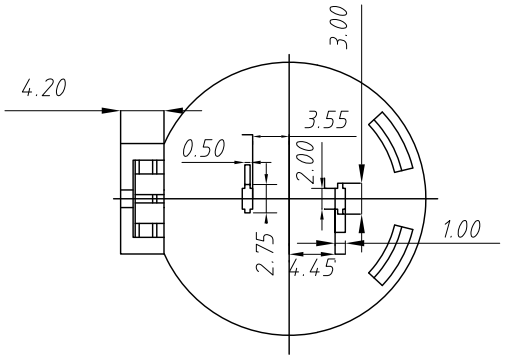


1
RoHS Compliance



PCB Layout Diagram
Top View



Material:
Housing: Thermoplastic Glass Fibre Ul 94v-0
Contact: Phosphor Bronze(surface plating: Ni100u ")
See Ordering Information
Terminal (-):Phosphor Bronze,T=0.20MM
Terminal (+):Phosphor Bronze,T=0.40MM

Electrical Characteristics:
Contact Resistance:30mΩ Max
Insulator Resistance:1000MΩ Min
Dielectric Voltage:500V AC One Sec Level
Operating Temperature:-25°C ~ + 85°C

Order Information:
L-KLS5-CR2477-1
L: RoHS
CR2477 Coin
Battery Holder
Part Number

ANGLE TOLERANCE		Description:	
±3°		CR2477 DIP COIN CELL RETAINERS,H12.0mm	
GENERAL TOLERANCE	UNITS	mm	KLS P/N:
x.x ±0.30	SHEET SIZE	A4	L-KLS5-CR2477-1
x.xx ±0.20	Draw:	Daniel	2022-03-01
x.xxx ±0.10	Check:	Daniel	2022-03-01

