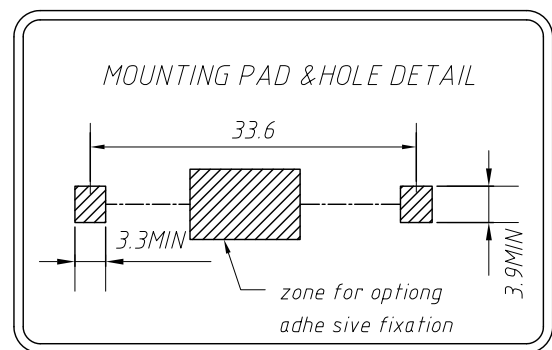
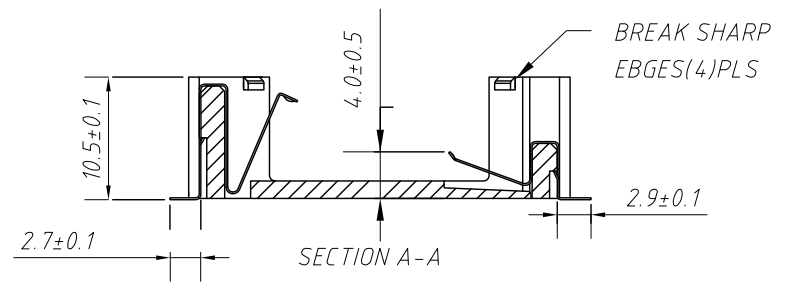
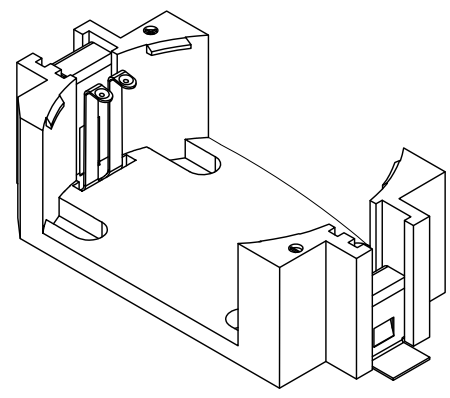
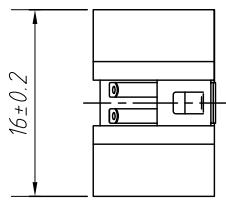
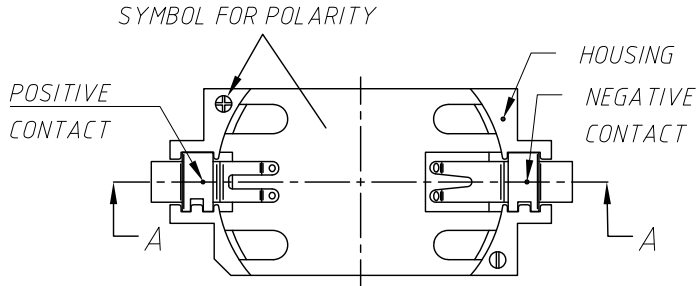
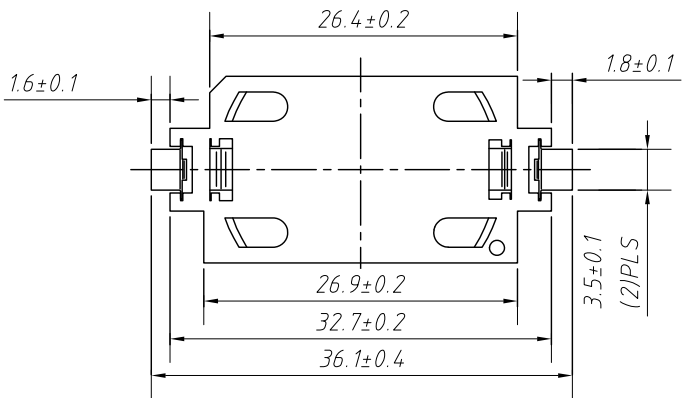


1
RoHS Compliance



Notes:
Base: Mat'l:Glass Filled LCP UL 94V-0
Contacts:Mat'l:0.15mm TH'k Phosphor Bronze
Finish:1u" Gold Flash,Over Nickel Plate
Operating Trmperature:220°C ~ 255°C

Order Information:
L-KLS5-CR2477-N-R
L: RoHS
CR2477 Coin
Battery Holder
Nickel Plate
Packing:
A-Bag B-PVC blister
C-Foam board R-Reel



ANGLE TOLERANCE		Description:	
±3°		CR2477 SMD COIN CELL RETAINERS,H10.5mm	
GENERAL TOLERANCE	UNITS	mm	KLS P/N:
x.x ±0.30	SHEET SIZE	A4	L-KLS5-CR2477-N-R
x.xx ±0.20	Draw:	Daniel	2022-03-01
x.xxx ±0.10	Check:	Daniel	2022-03-01



NingBo KLS ELECTRONIC CO.,L TD.