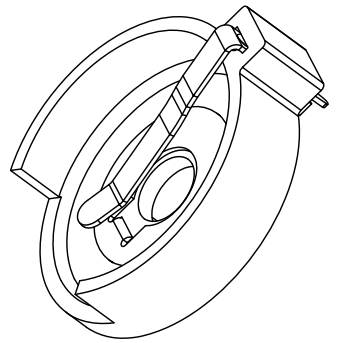
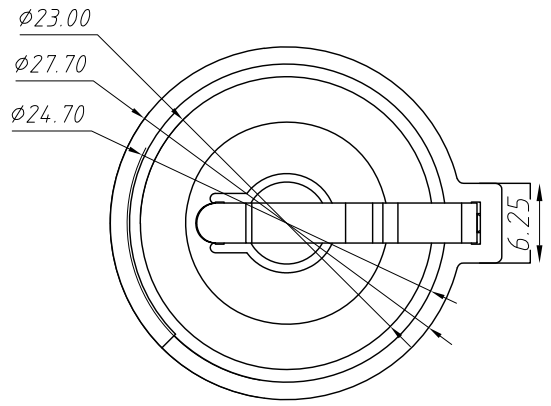
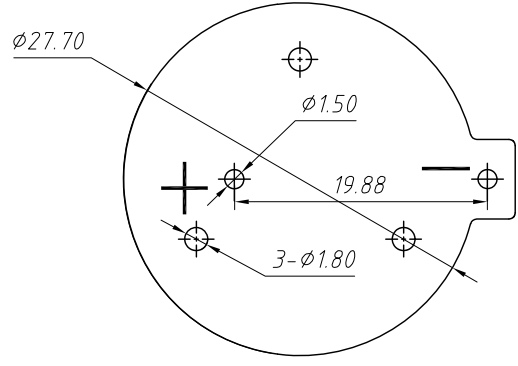
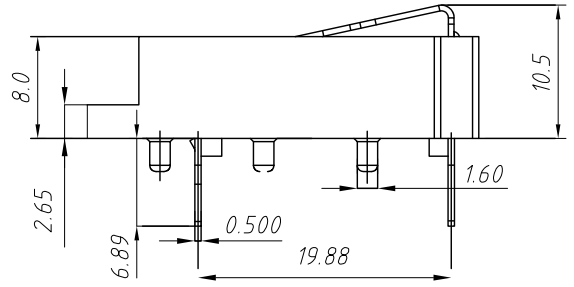


1
RoHS Compliance



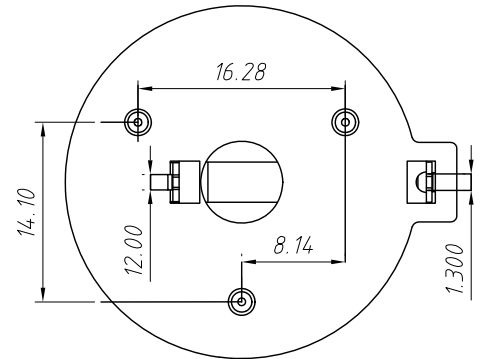
Material:
 Housing: Thermoplastic Glass Fibre Ul 94v-0
 Contact: Phosphor Bronze(surface plating: Ni100u ")
 See Ordering Information
 Terminal (-):Mn Steel,T=0.50MM
 Terminal (+):Mn Steel,T=0.50MM

Electrical Characteristics:
 Contact Resistance:30mΩ Max
 Insulator Resistance:1000MΩ Min
 Dielectric Voltage:500V AC One Sec Level
 Operating Temperature:-25°C ~ + 85°C



PCB Layout Diagram
 Top View

Order Information:
 L-KLS5-CR2477-2
 L: RoHS
 CR2477 Coin
 Battery Holder
 Part Number



ANGLE TOLERANCE		Description:	
±3°		CR2477 DIP COIN CELL RETAINERS,H8.0mm	
GENERAL TOLERANCE	UNITS	mm	KLS P/N:
x.x ±0.30	SHEET SIZE	A4	L-KLS5-CR2477-2
x.xx ±0.20	Draw:	Daniel	2022-03-01
x.xxx ±0.10	Check:	Daniel	2022-03-01

