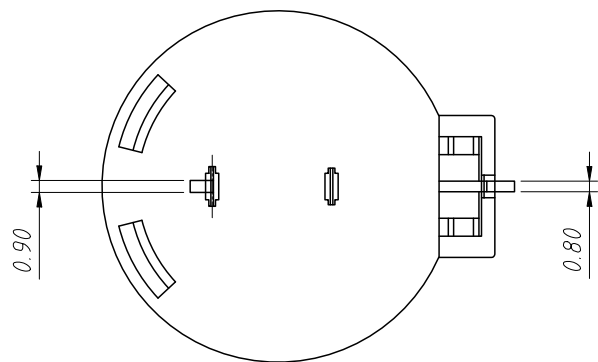
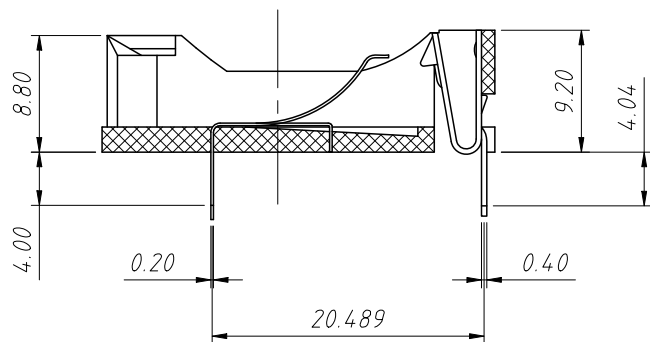
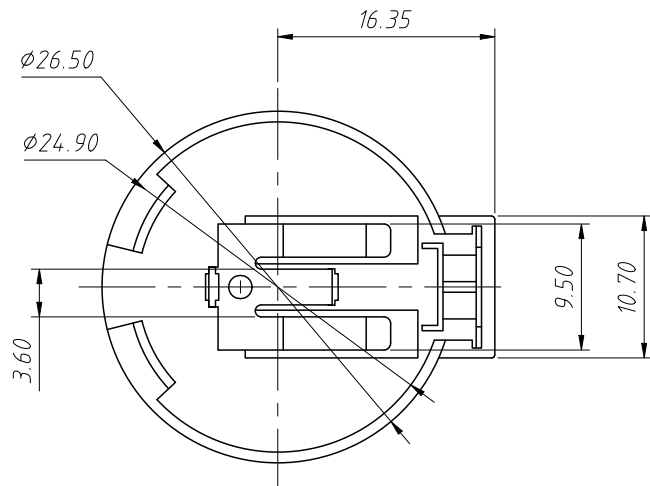
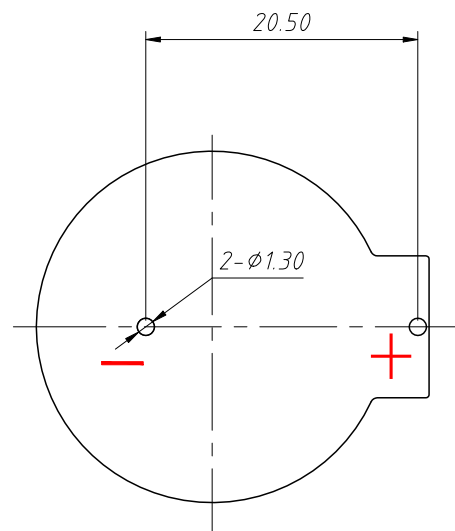


RoHS Compliance



Material:  
 Housing:PBT, UL 94 V-0,Black.  
 Contact:Phosphor bronze, T=0.2mm/0.4mm  
 Finish :Ni-plating

Electrical Characteristics:  
 Contact Resistance:30mΩ Max  
 Insulator Resistance:1000MΩ Min  
 Dielectric Voltage:500V AC One Sec Level  
 Operating Temperature:-25°C ~ + 85°C



PCB Layout Diagram  
 Top View

Order Information:  
 L-KLS5-CR2450-04  
 L: RoHS  
 CR2450 Coin  
 Battery Holder  
 Part Number

ANGLE TOLERANCE	PROJECTION	Description:
±3°		CR2450 DIP COIN CELL RETAINERS,H9.2mm
GENERAL TOLERANCE	UNITS	mm
x.x ±0.30	SHEET SIZE	A4
x.xx ±0.20	Draw:	Daniel 2022-10-17
x.xxx ±0.10	Check:	Daniel 2022-10-17

**KLS**  
electronics

NingBo KLS ELECTRONIC CO.,LTD.