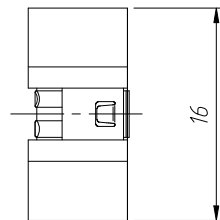
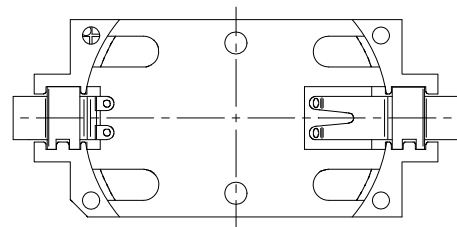
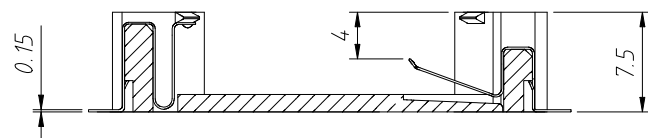


RoHS Compliance

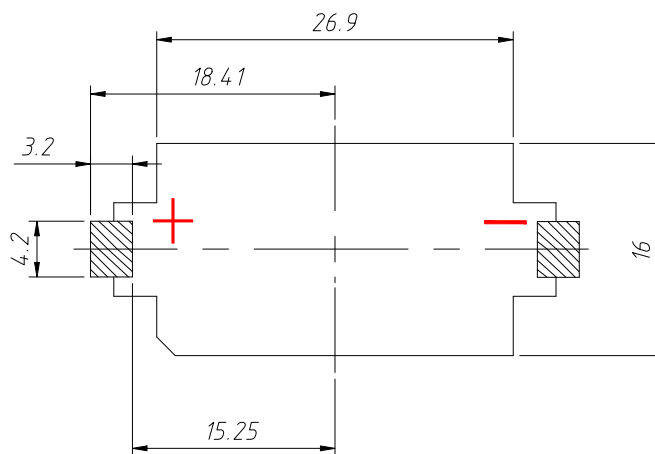


Material:
 Housing: LCP, UL 94V-0, White
 Contact: Phosphor bronze, T=0.15mm
 Finish: Gold Plating and Ni Under-plating

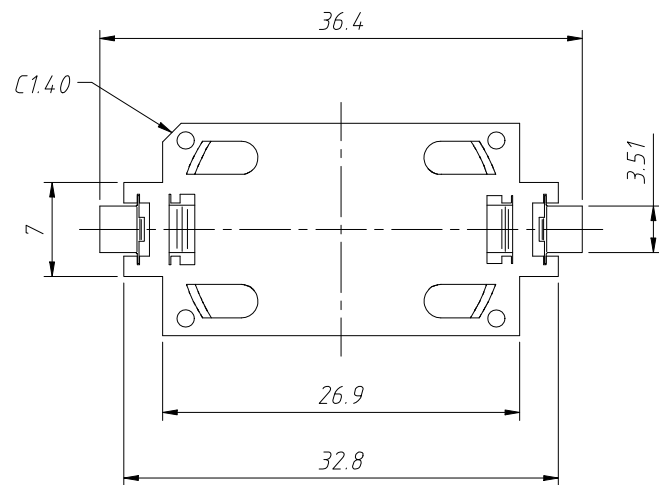
Electrical Characteristics:
 Contact Resistance: 30mΩ Max
 Insulator Resistance: 1000MΩ Min
 Dielectric Voltage: 750V AC One Sec Level
 Operating Temperature: -25°C ~ +85°C



PCB Layout Diagram
 Top View



Order Information:
 L-KLS5-CR2450-02
 L: RoHS
 CR2450 Coin
 Battery Holder
 Part Number



ANGLE TOLERANCE	PROJECTION	Description:		
±3°		CR2450 SMD COIN CELL RETAINERS, H7.5mm		
GENERAL TOLERANCE	UNITS	mm	KLS P/N:	L-KLS5-CR2450-02
x.x ±0.30	SHEET SIZE	A4		
x.xx ±0.20	Draw:	Daniel	2022-10-17	NingBo KLS ELECTRONIC CO.,LTD.
x.xxx ±0.10	Check:	Daniel	2022-10-17	