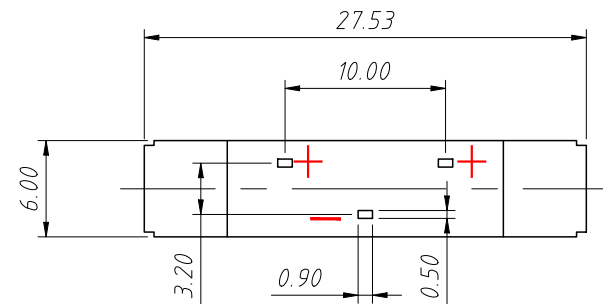
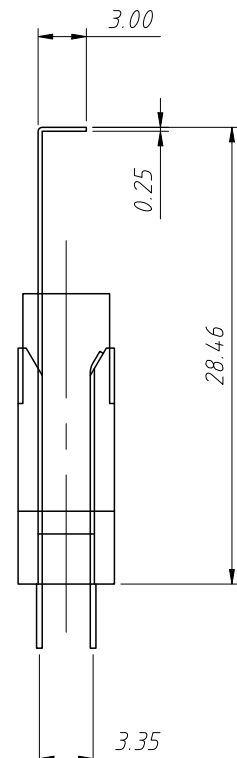
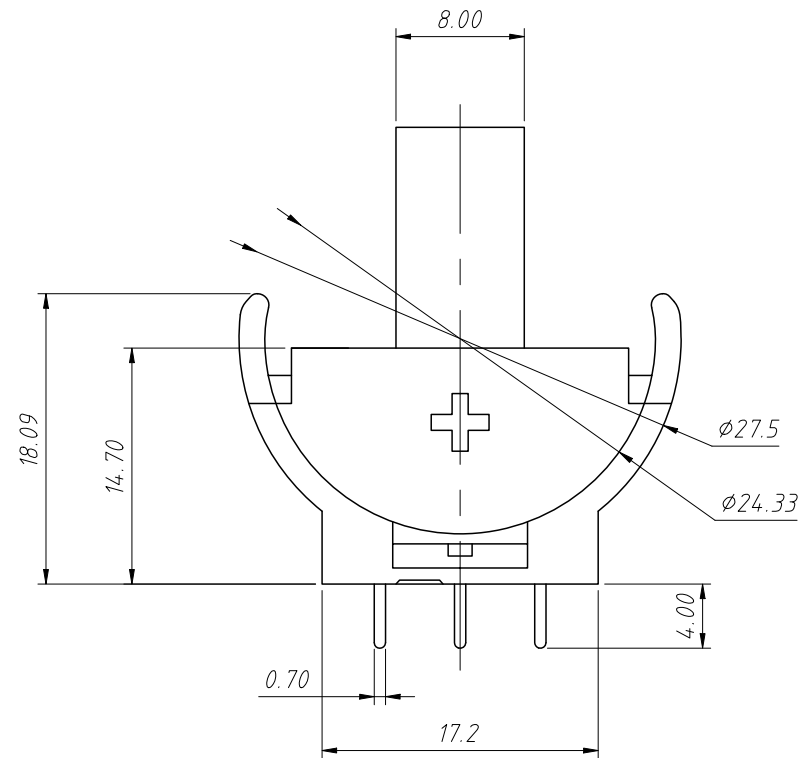
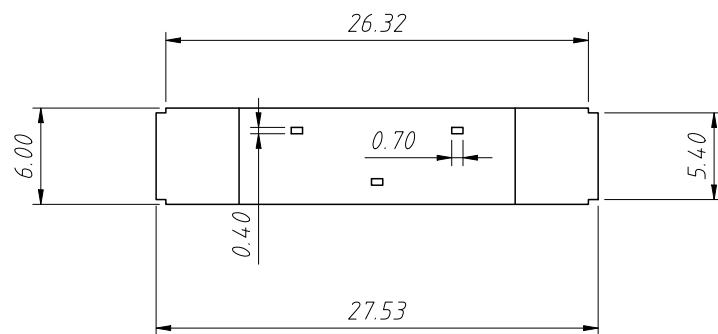


RoHS Compliance



PCB Layout Diagram
Top View



Material:

Housing: PA66, UL 94V-0, Black

Contact: Phosphor Bronze, T=0.25mm

Finish: Sn-plating

Electrical Characteristics:

Contact Resistance: 30mΩ Max

Insulator Resistance: 1000MΩ Min

Dielectric Voltage: 500V AC One Sec Level

Operating Temperature: -25°C ~ +85°C

Order Information:

L-KLS5-CR2430-03

L: RoHS

CR2430 Coin

Battery Holder

Part Number

ANGLE TOLERANCE	PROJECTION	Description:
±3°		CR2430 DIP COIN CELL RETAINERS, H28.5mm Tin plated
GENERAL TOLERANCE	UNITS	mm
x.x ±0.30	SHEET SIZE	A4
x.xx ±0.20	Draw:	Daniel 2022-10-18
x.xxx ±0.10	Check:	Daniel 2022-10-18



NingBo KLS ELECTRONIC CO.,LTD.

L-KLS5-CR2430-03