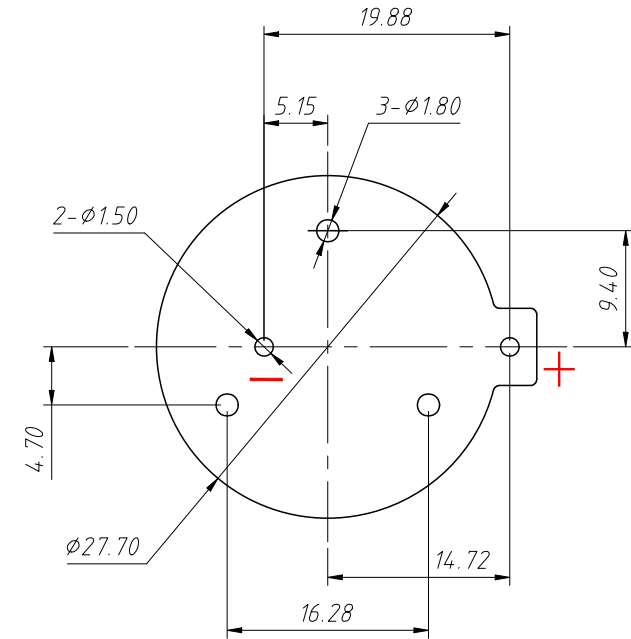
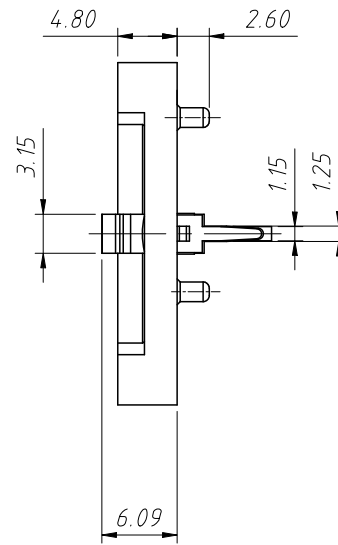
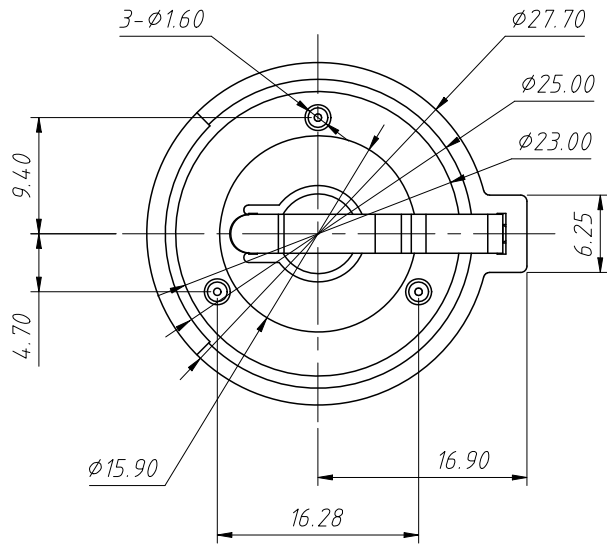
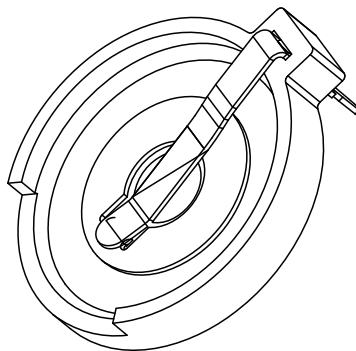
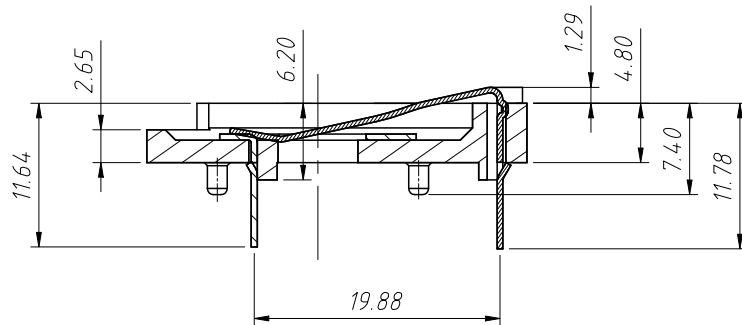


RoHS Compliance



PCB Layout Diagram
Top View



Material:

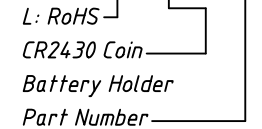
Housing: PBT, UL94 V-0, Black
Contact: Mn Steel, T=0.50mm
Finish: Ni-plating

Electrical Characteristics:

Contact Resistance: 30mΩ Max
Insulator Resistance: 1000MΩ Min
Dielectric Voltage: 500V AC One Sec Level
Operating Temperature: -25°C ~ +85°C

Order Information:

L-KLS5-CR2430-02



ANGLE TOLERANCE	PROJECTION	Description:
±3°		CR2430 DIP COIN CELL RETAINERS, H3.85mm Tin plated
GENERAL TOLERANCE	UNITS	mm
x.x ±0.30	SHEET SIZE	A4
x.xx ±0.20	Draw:	Daniel 2022-10-18
x.xxx ±0.10	Check:	Daniel 2022-10-18



NingBo KLS ELECTRONIC CO.,LTD.

L-KLS5-CR2430-02