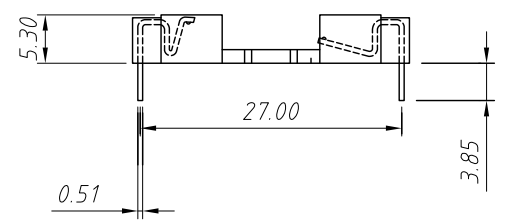
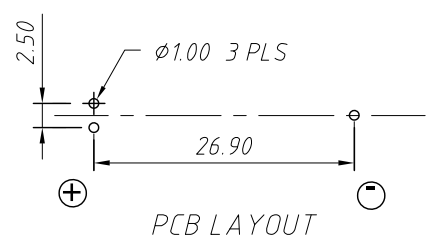
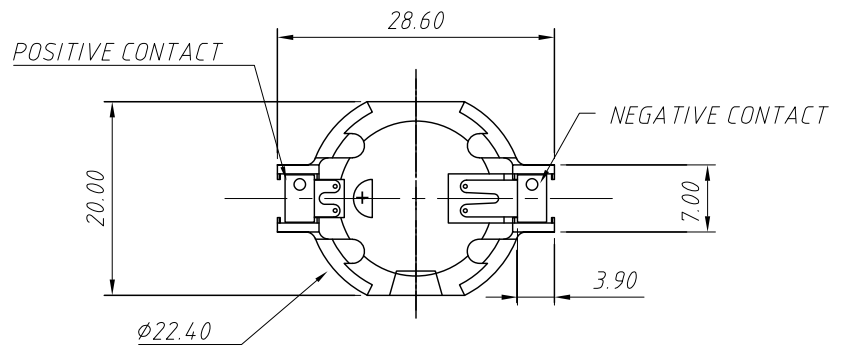


1  
RoHS Compliance



**SPECIFICATIONS:**

Holder material: Black, Nylon 66, UL 94 V-0.  
 Contacts : 0.020" thick PHOS-BRONZE, GOLD FLASH  
 Temperature range: -40°C to +280°C  
 Vibration Test: 10-50-10 Hz swept in 60 seconds  
 X,Y,Z direction: 1 hour each direction  
 Result: No dislodgement of the cell or damage  
 No discontinuity over 10 micro-seconds  
 Shock Test: Half sine wave acceleration 150G, 6 ms  
 3 shock pulses each direction per axis, total of 18 pulses  
 Result: No evidence of physical damage  
 ROHS COMPLIANT

**Order Information:**

L-KLS5-CR2032- 62B  
 L: RoHS  
 CR2032 Coin  
 Battery Holder  
 Part Number

|                   |            |        |              |   |
|-------------------|------------|--------|--------------|---|
| ANGLE TOLERANCE   |            |        | Description: | CR2032 DIP COIN CELL RETAINERS,<br>H5.30mm, Au plated |
| ±3°               |            |        |              |   |
| GENERAL TOLERANCE | UNITS      | mm     | KLS P/N:     | L-KLS5-CR2032-62B                                     |
| x.x ±0.30         | SHEET SIZE | A4     |              |   |
| x.xx ±0.20        | Draw:      | Daniel | 2022-03-01   | NingBo KLS ELECTRONIC CO.,L TD.                       |
| x.xxx ±0.10       | Check:     | Daniel | 2022-03-01   |   |