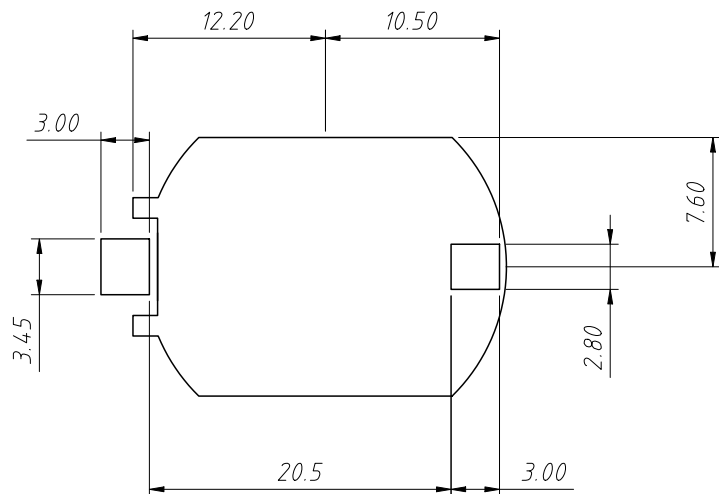
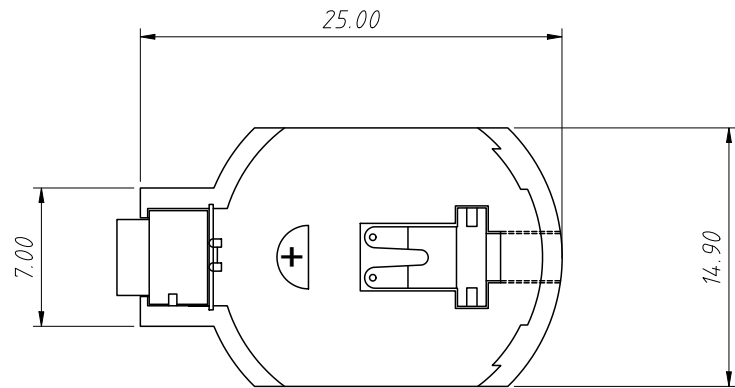


RoHS Compliance



PCB LAYOUT

Specifications:

- 1. Holder material: Zenite 30% glass reinforced Liquid Crystal Polymer resin, UL File No. E344082, UL 94V-0
Color: Off White
- 2. Contacts :
Positive: 0.5mm thick Phosphor Bronze, Gold Flash
Negative: 0.5mm thick Stainless steel 301, 3/4 hard, Gold Flash
- 2. Temperature range: -40°C to +280°C

Vibration Test: 10-50-10 Hz swept in 60 seconds
X, Y, Z direction: 1 hour each direction, No dislodgement of the cell or damage, No discontinuity over 10 micro-seconds
Shock Test: Half sine wave acceleration 150g. 6 m/s, 3 shock pulses each direction per axis, total of 18 pulses, No evidence of physical damage

Order Information:
 L-KLS5-CR2032-56
 L: RoHS
 CR2032 Coin
 Battery Holder
 Part Number

ANGLE TOLERANCE	PROJECTION	Description:		
±3°		CR2032 SMD COIN CELL RETAINERS, Tin plated		
GENERAL TOLERANCE	UNITS	mm	KLS P/N:	L-KLS5-CR2032-56
x.x ±0.30	SHEET SIZE	A4		
x.xx ±0.20	Draw:	Daniel	2022-10-26	NingBo KLS ELECTRONIC CO.,LTD.
x.xxx ±0.10	Check:	Daniel	2022-10-26	