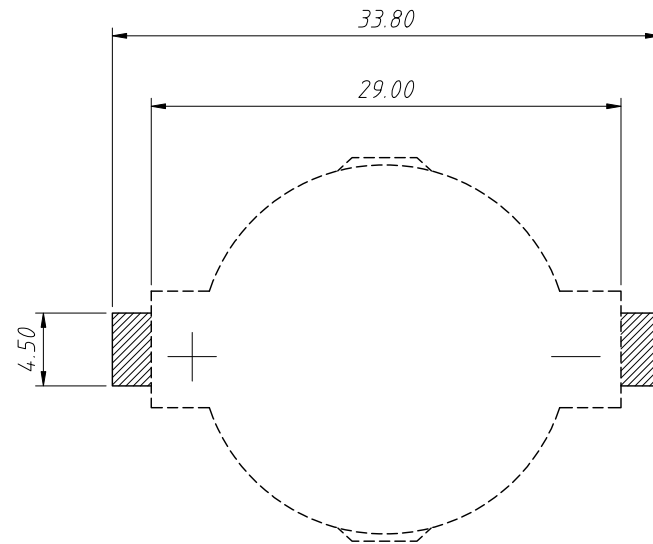
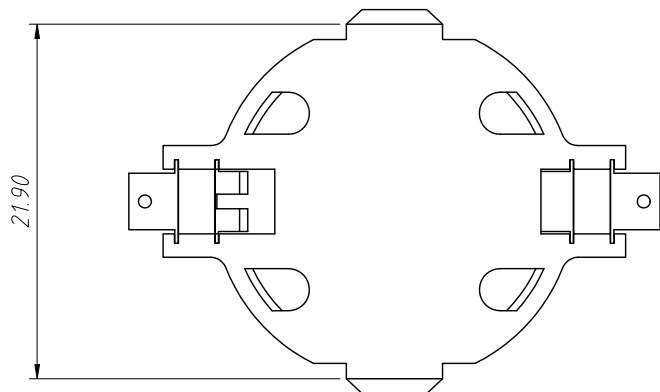
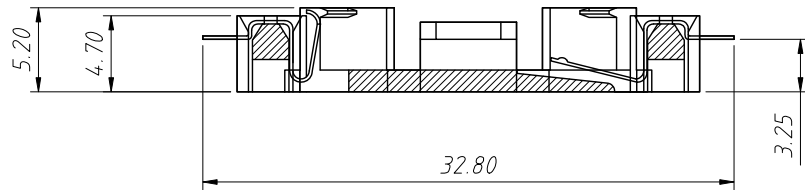
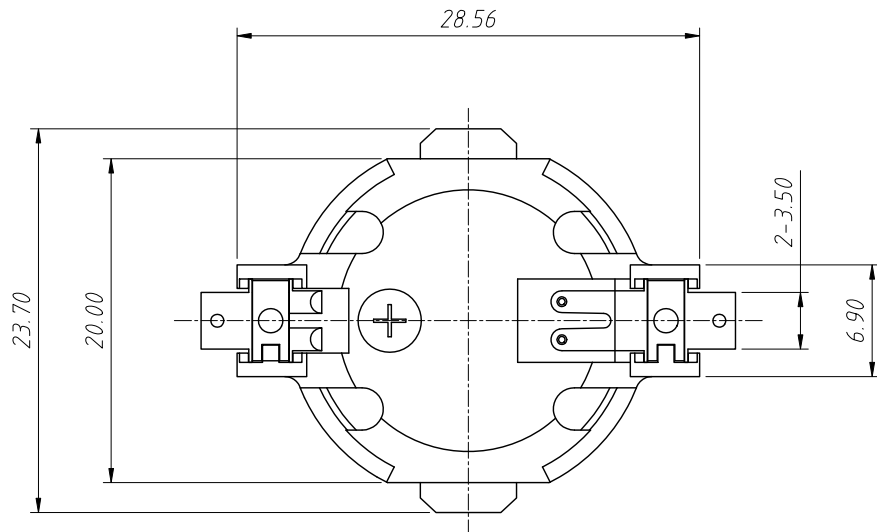


1 RoHS Compliance



PCB Layout Diagram  
Top View

Material:

Housing:LCP,UL94 V-0,White.

Terminal:Phosphor bronze T=0.20mm

Finish:Gold Plating and Ni Under Plating

Electrical Characteristics:

Contact Resistance:30mΩ Max

Insulator Resistance:100MΩ Min

Dielectric Voltage:500V AC One Sec Level

Operating Temperature:-25°C ~ + 85°C

Order Information:

L-KLS5-CR2032-40

L: RoHS

CR2032 Coin

Battery Holder

Part Number

ANGLE TOLERANCE	PROJECTION	Description:	CR2032 SMD Mid Mount 3.25mm Coin Cell Retainers,Au plated
±3°			
GENERAL TOLERANCE	UNITS	mm	KLS P/N: L-KLS5-CR2032-40
x.x ±0.30	SHEET SIZE	A4	
x.xx ±0.20	Draw:	Daniel	2022-12-14
x.xxx ±0.10	Check:	Daniel	2022-12-14



NingBo KLS ELECTRONIC CO.,L TD.