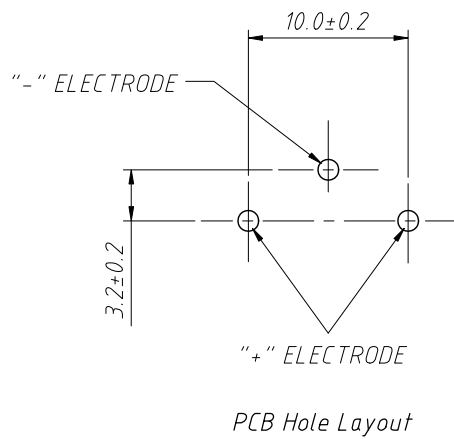
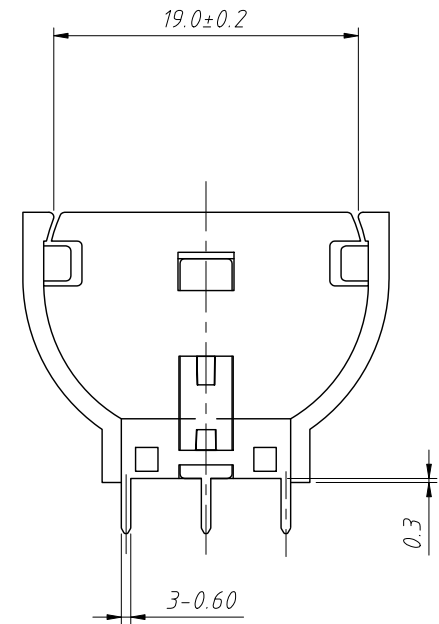
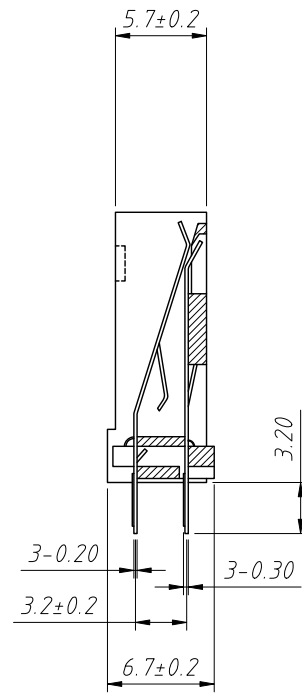
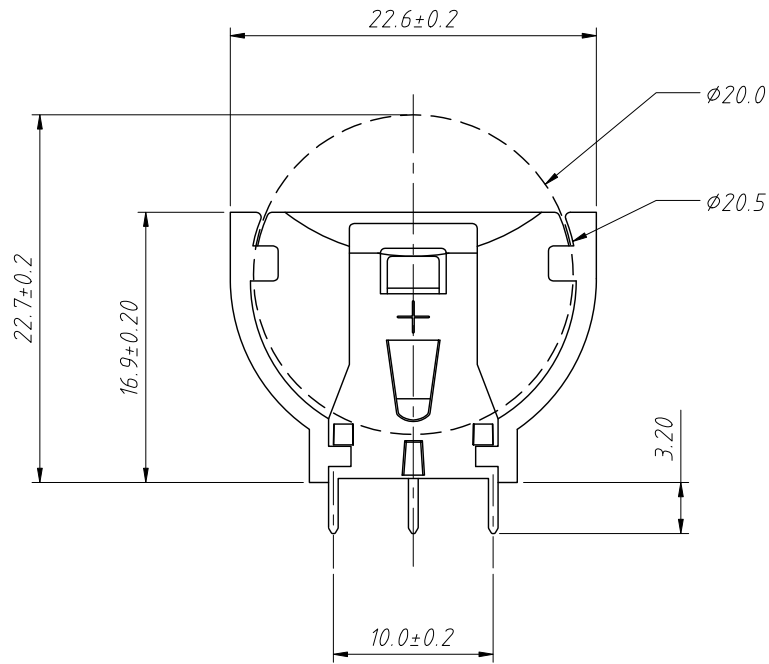


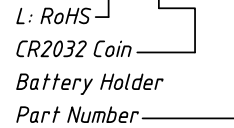
1 RoHS Compliance



Material:
Housing: PA66, UL94V-0, Black
Terminal: Phosphor Bronze, T=0.20mm
Plating: Tin Nickel

Electrical Characteristics:
Contact Resistance: 30mΩ Max
Insulator Resistance: 1000MΩ Min
Dielectric Voltage: 500V AC One Sec Level
Operating Temperature: -25°C ~ +85°C

Order Information:
L-KLS5-CR2032-04B



ANGLE TOLERANCE	PROJECTION	Description:	CR2032 DIP COIN CELL RETAINERS, H17.8mm, Tin plated	
±3°				
GENERAL TOLERANCE	UNITS	mm	KLS P/N: L-KLS5-CR2032-04B	
x.x ±0.30	SHEET SIZE	A4	NingBo KLS ELECTRONIC CO.,LTD.	
x.xx ±0.20	Draw:	Daniel		2022-03-01
x.xxx ±0.10	Check:	Daniel		2022-03-01