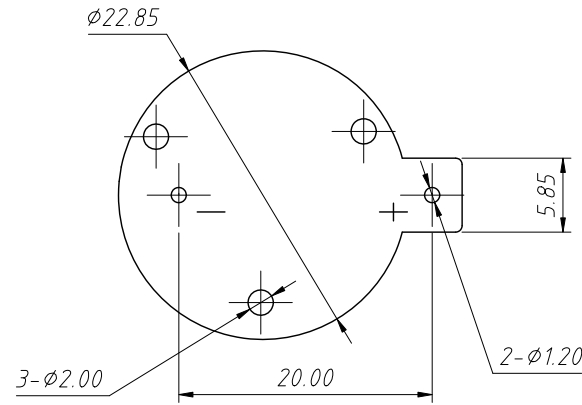
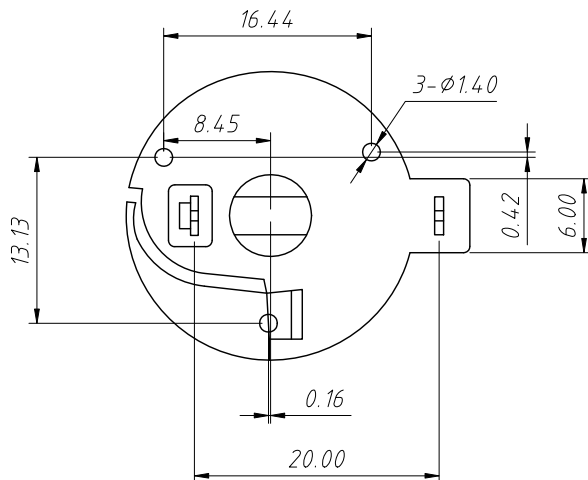
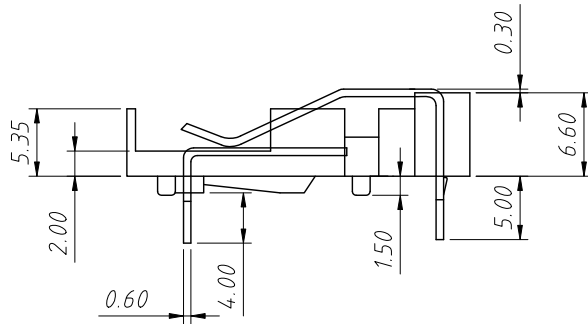
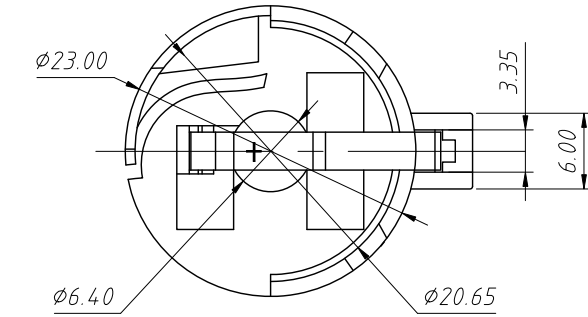


RoHS Compliance



PCB Layout Diagram  
Top View

**Material:**

Housing: PBT, UL 94 V-0, Black

Terminal(+): Mn Steel, T=0.60mm

Terminal(-): Mn Steel, T=0.60mm

Plating: Ni- plating

**Electrical Characteristics:**

Contact Resistance: 30mΩ Max

Insulator Resistance: 1000MΩ Min

Dielectric Voltage: 500V AC One Sec Level

Operating Temperature: -25°C ~ + 85°C

**Order Information:**

L-KLS5-CR2032-03

L: RoHS

CR2032 Coin

Battery Holder

Part Number

ANGLE TOLERANCE	PROJECTION	Description:	CR2032 DIP COIN CELL RETAINERS, H8.95mm, Tin plated
±3°			
GENERAL TOLERANCE	UNITS	mm	KLS P/N: L-KLS5-CR2032-03
x.x ±0.30	SHEET SIZE	A4	
x.xx ±0.20	Draw:	Daniel	2022-03-01
x.xxx ±0.10	Check:	Daniel	2022-03-01



NingBo KLS ELECTRONIC CO.,L TD.