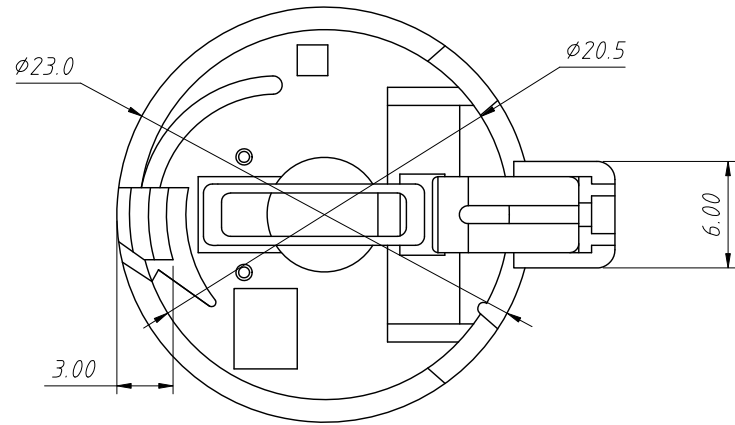


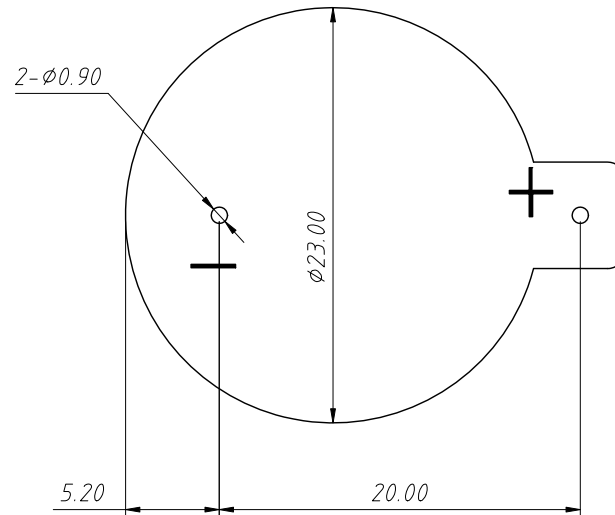
RoHS Compliance



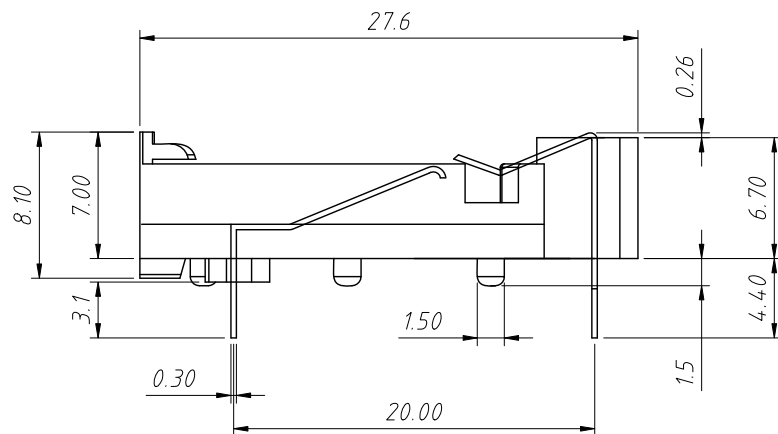
Material:  
 Housing:PBT,UL 94 V-0,Black  
 Terminal(+):Brass,T=0.30mm  
 Terminal(-):Brass,T=0.30mm  
 Plating:Sn- plating

Electrical Characteristics:  
 Contact Resistance:30mΩ Max  
 Insulator Resistance:1000MΩ Min  
 Dielectric Voltage:500V AC One Sec Level  
 Operating Temperature:-25°C ~ + 85°C

PCB Layout Diagram  
 Top View



Order Information:  
 L-KLS5-CR2032-02  
 L: RoHS  
 CR2032 Coin  
 Battery Holder  
 Part Number



ANGLE TOLERANCE	PROJECTION	Description:	CR2032 DIP COIN CELL RETAINERS, H8.10mm, Tin plated
±3°			
GENERAL TOLERANCE	UNITS	mm	KLS P/N: L-KLS5-CR2032-02
x.x ±0.30	SHEET SIZE	A4	NingBo KLS ELECTRONIC CO.,L TD.
x.xx ±0.20	Draw:	Daniel 2022-03-01	
x.xxx ±0.10	Check:	Daniel 2022-03-01	