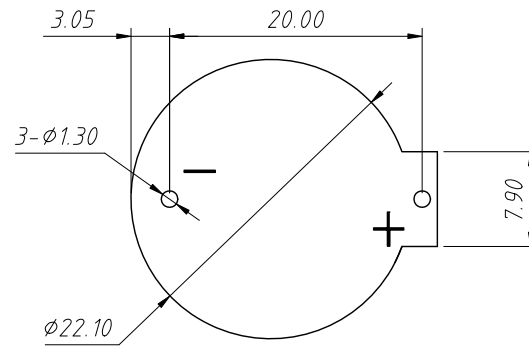
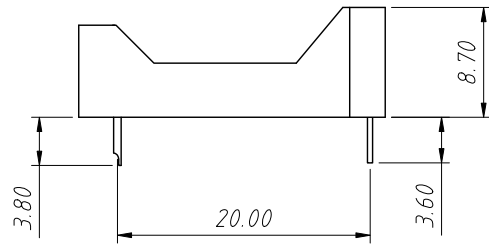
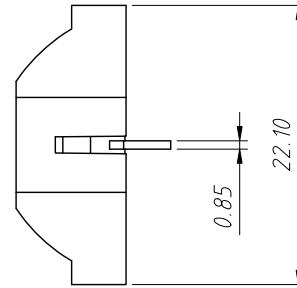
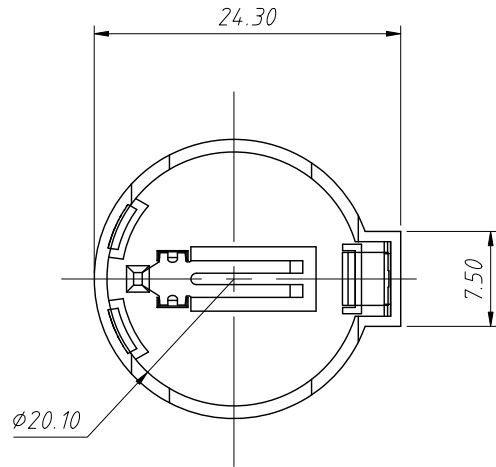
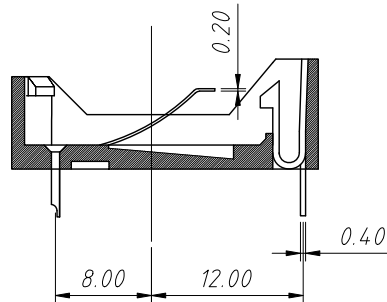


RoHS Compliance



PCB Layout Diagram
Top View



Material:

Housing: PBT, UL 94 V-0, Black

Terminal(+): Brass, T=0.20mm

Terminal(-): Brass, T=0.40mm

Plating: Sn- plating

Electrical Characteristics:

Contact Resistance: 30mΩ Max

Insulator Resistance: 1000MΩ Min

Dielectric Voltage: 500V AC One Sec Level

Operating Temperature: -25°C ~ + 85°C

Order Information:

L-KLS5-CR2032-01

L: RoHS

CR2032 Coin

Battery Holder

Part Number

ANGLE TOLERANCE	PROJECTION	Description:	CR2032 DIP COIN CELL RETAINERS, H8.70mm, Tin plated
±3°			
GENERAL TOLERANCE	UNITS	mm	KLS P/N: L-KLS5-CR2032-01
x.x ±0.30	SHEET SIZE	A4	
x.xx ±0.20	Draw:	Daniel	2022-03-01
x.xxx ±0.10	Check:	Daniel	2022-03-01



NingBo KLS ELECTRONIC CO.,L TD.