

Material:

MATL:0.25mm Thick Phosphor Bronze

Finish:Flash Gold Plate

Electrical Characteristics:

Current Rating:3A AC/DC

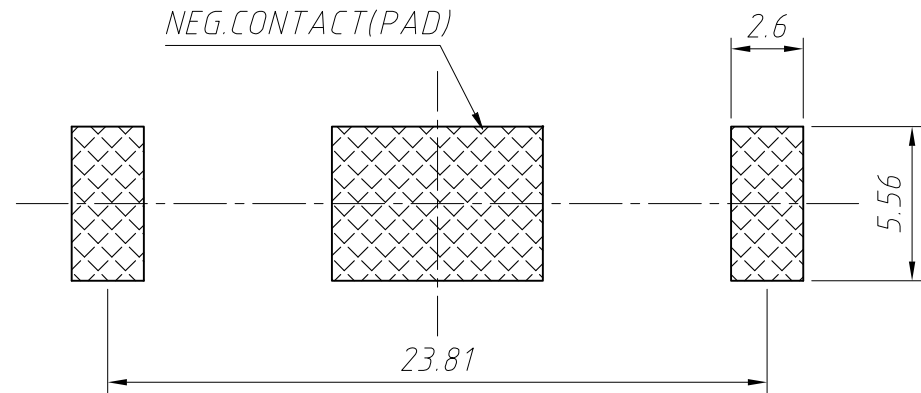
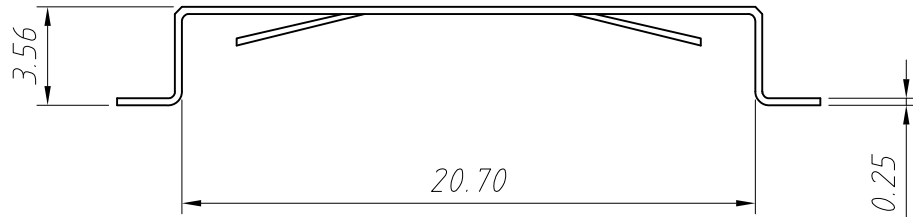
Dielectric Voltage:500V AC One Sec Level

Contact Resistance:30mΩ max.

Insulator Resistance:1000MΩ min.

Operating Temperature: -40°C ~ +105°C

Hunmidity:40°C and 90-95%RH For 48 Hours



PCB Mounting Layout

GENERAL TOLERANCE	PROJECTION		Description:
X. ±0.50	UNITS	mm	Battery Clip
.X ±0.25	SCALE	1:1	
.XX ±0.10	Draw by:	Jenny	KLS P/N: L-KLS5-CR2032-2033-G
ANGLE TOLERANCE	Check by:		NingBo KLS ELECTRONIC CO.,L TD.
X. ±5°	Date	2018-03-01	
.X ±3°	SHEET	1 OF 1	
.XX ±2°			