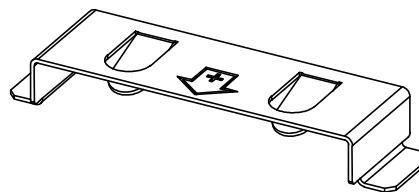
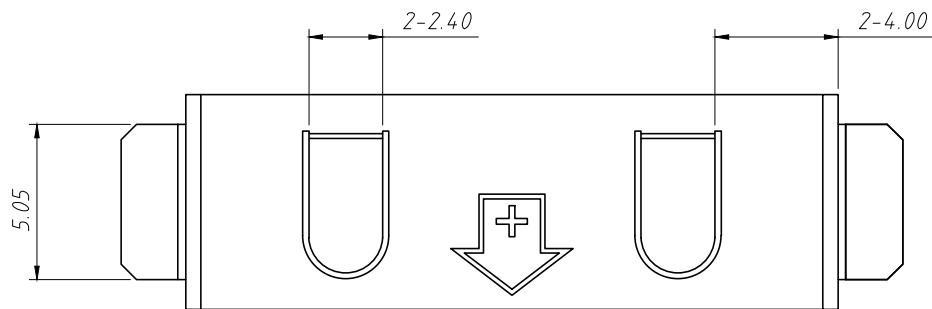


RoHS Compliance



Notes:

1:Material:

Phosphor Bronze T=0.25mm, Nickel Plated.

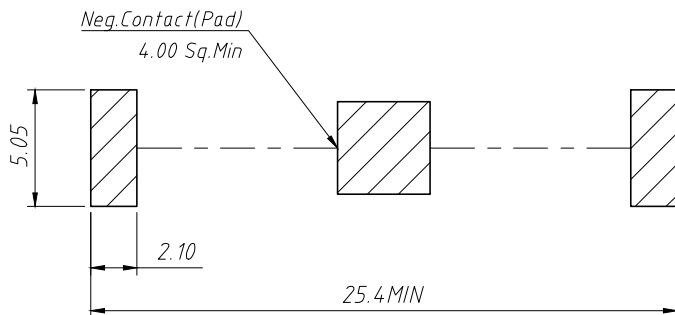
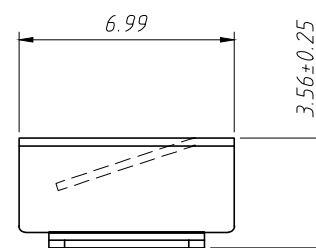
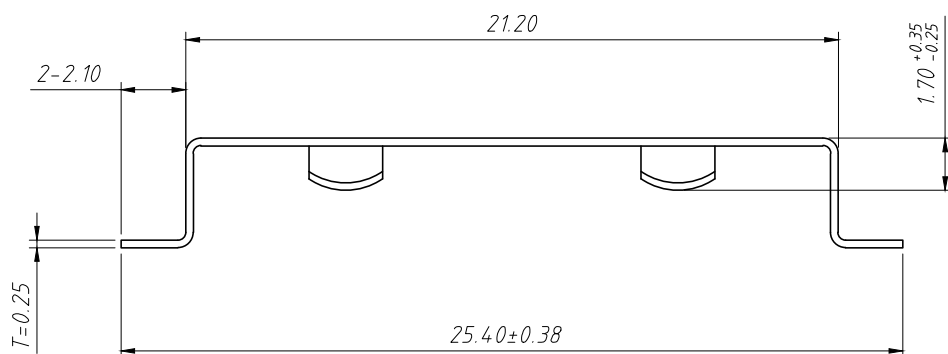
2:Electric:

Dielectric Voltage: 500V AC One Sec Level.

Contact Resistance: 30 mΩ Max.

Insulator Resistance: 100 MΩ Min.

Operating Temperature: -40°C ~ +85°C.



Recommended PCB Layout
Tolerance: ±0.05mm

ANGLE TOLERANCE	PROJECTION		Description:	
±3°			CR2032 Coin Cell Retainers	
GENERAL TOLERANCE	UNITS	mm	KLS P/N:	L-KLS5-CR2032-2003
x.x ±0.30	SHEET SIZE	A4	Draw:	Daniel 2023-03-03
x.xx ±0.20	Draw:	Daniel	Check:	Daniel 2023-03-03
x.xxx ±0.10	Check:	Daniel	NingBo KLS ELECTRONIC CO.,LTD.	