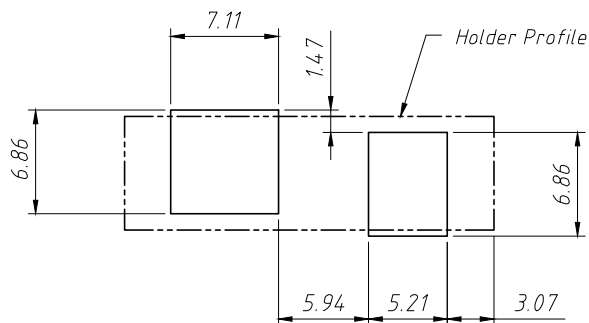
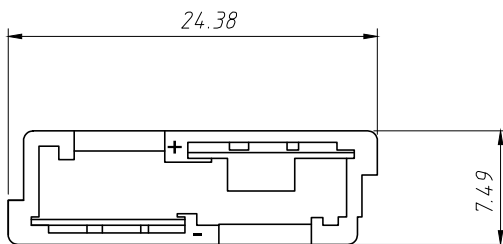
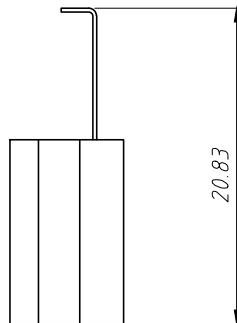
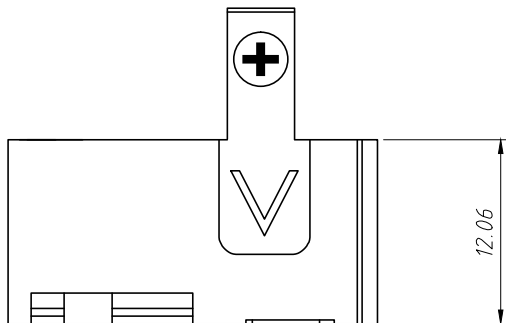


RoHS Compliance



PCB Layout



Notes:

Material: LCP Zenite 6130, Color Natural
 Flammability Rating: UL94v-0, UL File No. E344082
 Contacts: Phosphor Bronze, C5191, Nickel Plated

Electrical:

Voltage: 250V AC
 Contact Resistance: 30mq Max
 Insulation Resistance: 1000mq At Dc 500V
 Dielectric Strength: AC 1000v Per Minute
 temperature Range: -40°C To +200°C

ANGLE TOLERANCE	PROJECTION	Description:
±3°		CR2032 DIP COIN CELL RETAINERS
GENERAL TOLERANCE	UNITS	mm
x.x ±0.30	SHEET SIZE	A4
x.xx ±0.20	Draw:	Daniel 2023-02-27
x.xxx ±0.10	Check:	Daniel 2023-02-27



NingBo KLS ELECTRONIC CO.,LTD.