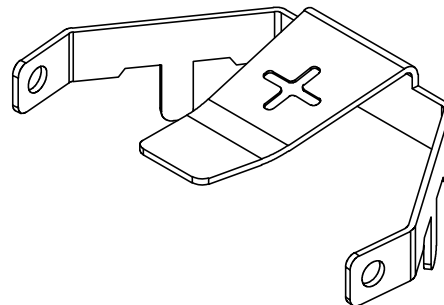
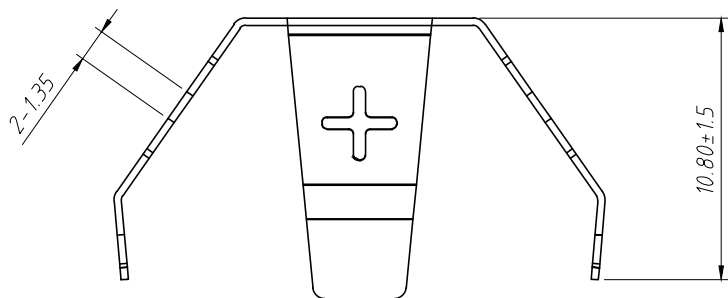


RoHS Compliance



Notes:

1:Material:

Phosphor Bronze T=0.25mm, Nickel Plated.

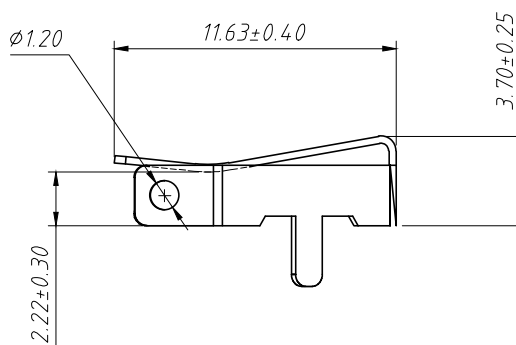
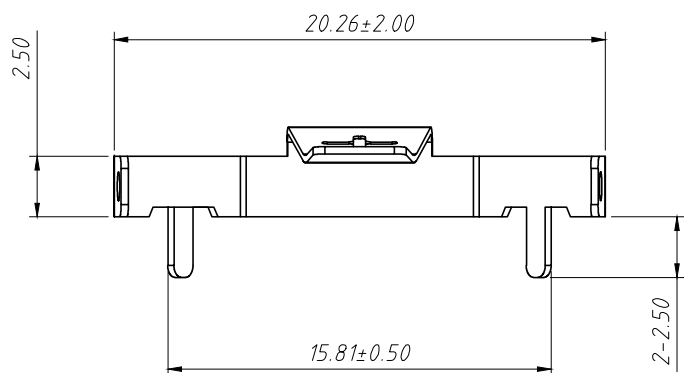
2:Electric:

Dielectric Voltage:500V AC One Sec Level.

Contact Resistance:30 mΩ Max.

Insulator Resistance:100 MΩ Min.

Operating Temperature:-40°C ~ +85°C.



| ANGLE TOLERANCE | | PROJECTION | | Description: | |
|-------------------|-------|------------|--------|----------------------------|-------------------|
| ±3° | | | | CR2032 Coin Cell Retainers | |
| GENERAL TOLERANCE | | UNITS | mm | KLS P/N: | L-KLS5-CR2032-59 |
| x.x | ±0.30 | SHEET SIZE | A4 | Draw: | Daniel 2023-02-23 |
| x.xx | ±0.20 | Check: | Daniel | 2023-02-23 | |
| x.xxx | ±0.10 | | | | |



NingBo KLS ELECTRONIC CO.,LTD.

5

6

7

8