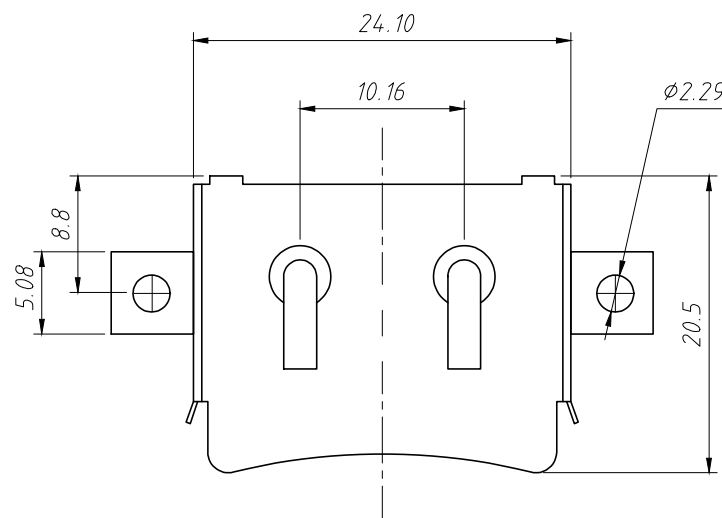


Negative Marking On Opposite Side



Description:

Material:

Holder: Polypropylene, AV161 PP, Off White

UL Flammability Rating: UL 94-HB File No. E108370

Contacts : Phosphor Bronze C5191, Nickel

Plated 80-150u Thickness

Vibration Test: 10-50-10 HZ Sweepled In 60 Seconds

X,Y,Z. Direction: 1 Hour Each Direction.

Result: No Dislodgement Of The Cell Or Damage

No Discontinuity Over 10 Micro-Seconds.

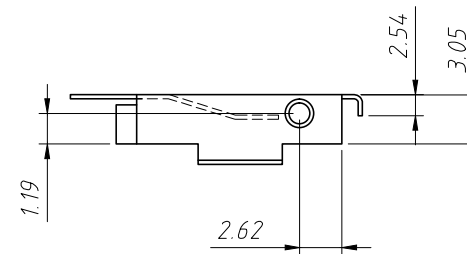
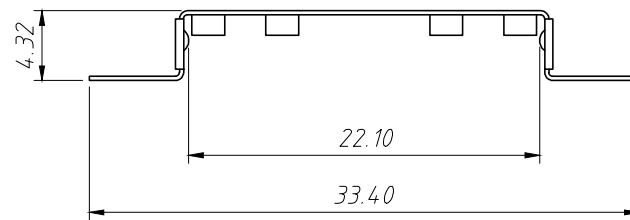
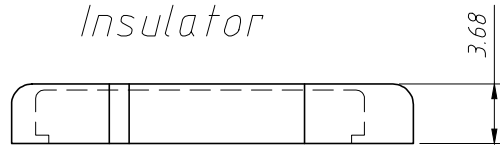
Shock Test: Half Sine Wave Acceleration 150g.

6 Milliseconds 3 Shock Pulses Each

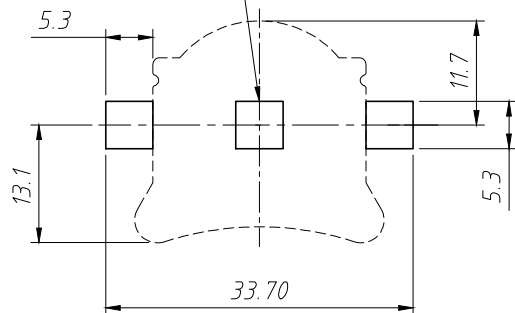
Direction Per Axis. Total Of 18 Pulses.

Result: No Evidence Of Physical Damage.

Insulator



5.0 SQ. PAD
Nickel Or Gold Recommended.



PCB Layout

ANGLE TOLERANCE	PROJECTION	Description:
±3°		CR2032 Coin Cell Retainers
GENERAL TOLERANCE	UNITS	mm
0-6 ±0.10	SHEET SIZE	A4
6-30 ±0.20	Draw:	Daniel 2023-02-23
30-120 ±0.30	Check:	Daniel 2023-02-23

L-KLS5-CR2032-44



NingBo KLS ELECTRONIC CO.,LTD.