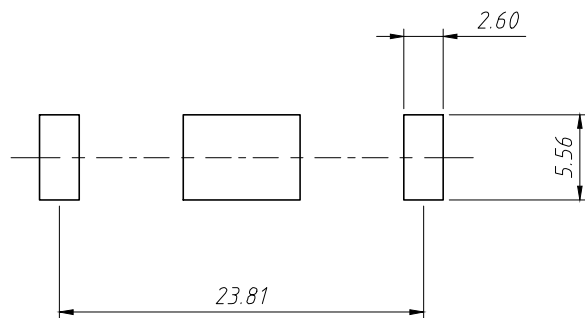
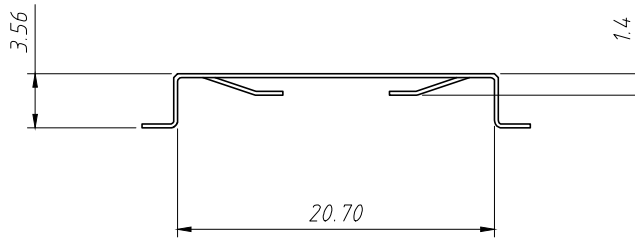
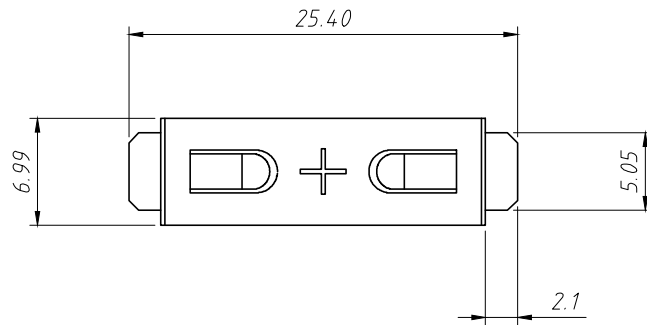


RoHS Compliance



Recommended PCB Layout  
Tolerance: ±0.05mm

Technical Requirement:

Material:

Phosphor Bronze T=0.25MM Nickel Plated  
The Surface Of Stamping Parts Shall Be Bright And Smooth, Without Burr, Indentation, Mark And Other Defects.

No Defects Such As Plating Blackening, Hair Number, Coating Peeling, Etc.

Unmarked Fillet R0.1

Unmarked Tolerance, Follow The Following Tolerance Table

ANGLE TOLERANCE	PROJECTION		Description:	
±3°			CR2032 Coin Cell Retainers	
GENERAL TOLERANCE	UNITS	mm	KLS P/N:	L-KLS5-CR2032-34
x.x ±0.30	SHEET SIZE	A4		NingBo KLS ELECTRONIC CO.,LTD.
x.xx ±0.20	Draw:	Daniel		
x.xxx ±0.10	Check:	Daniel	2023-02-23	